



US00D642122S

(12) **United States Design Patent**  
**Budike, Jr.**

(10) **Patent No.:** **US D642,122 S**

(45) **Date of Patent:** **\*\* Jul. 26, 2011**

(54) **CHARGER**

(75) Inventor: **Lothar Budike, Jr.**, Villanova, PA (US)

(73) Assignee: **Hot Doc, Inc.**, Villanova, PA (US)

(\*\*) Term: **14 Years**

(21) Appl. No.: **29/380,455**

(22) Filed: **Dec. 6, 2010**

(51) **LOC (9) Cl.** ..... **13-02**

(52) **U.S. Cl.** ..... **D13/108**

(58) **Field of Classification Search** ..... D13/107-110,  
D13/118-119, 184, 199; D14/251, 253,  
D14/432, 434; 320/107-115  
See application file for complete search history.

(56) **References Cited**

U.S. PATENT DOCUMENTS

2,772,382	A	*	11/1956	Escoffery	.....	257/658
D444,472	S	*	7/2001	Russell et al.	.....	D14/434
D465,532	S	*	11/2002	Hussaini et al.	.....	D21/333
D476,659	S	*	7/2003	Ying et al.	.....	D14/434
D509,788	S	*	9/2005	Schlieffers et al.	.....	D13/108
D532,366	S	*	11/2006	Koizumi	.....	D13/108
D540,802	S	*	4/2007	Hussaini et al.	.....	D14/434

D579,408	S	*	10/2008	Benyameen	.....	D13/107
D597,940	S	*	8/2009	Navid	.....	D13/108
D620,432	S	*	7/2010	Chen et al.	.....	D13/110
D623,132	S	*	9/2010	Yano	.....	D13/108
D628,562	S	*	12/2010	Akana et al.	.....	D14/217
D633,039	S	*	2/2011	Nomi et al.	.....	D13/108

\* cited by examiner

*Primary Examiner* — Rosemary K Tarcza

(74) *Attorney, Agent, or Firm* — Volpe and Koenig, P.C.

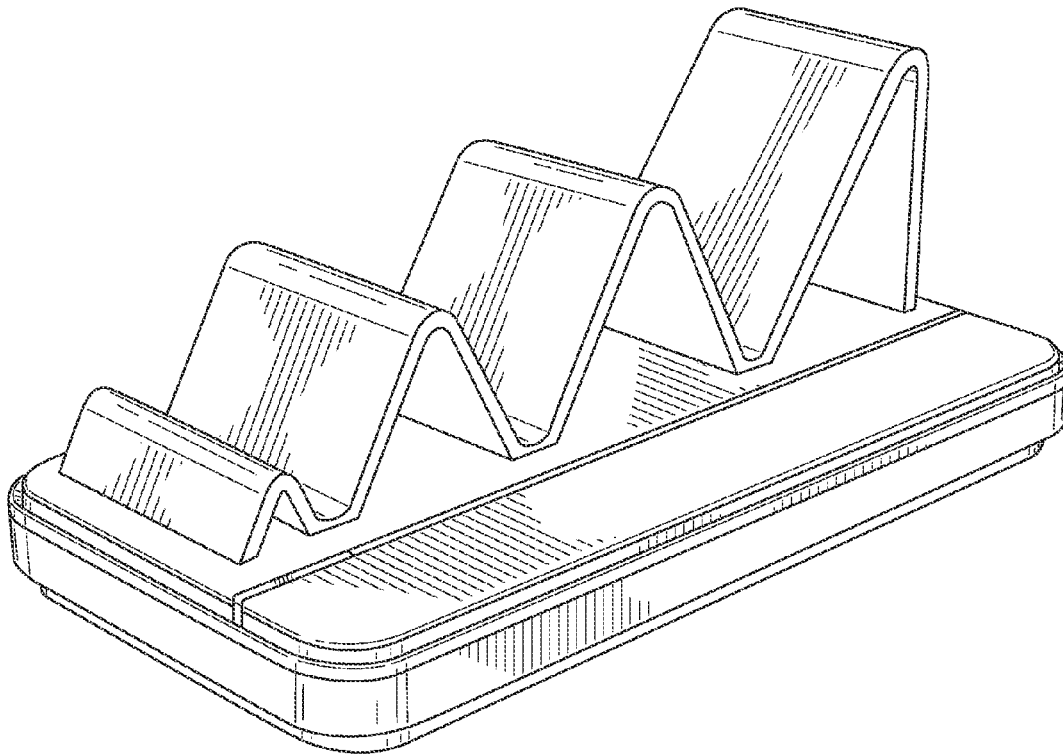
(57) **CLAIM**

The ornamental design for a charger, as shown and described

**DESCRIPTION**

FIG. 1 is a top, front, left perspective view of a charger in accordance with my design;  
 FIG. 2 is a front elevational view thereof;  
 FIG. 3 is a rear elevational view thereof;  
 FIG. 4 is a top plan view thereof;  
 FIG. 5 is a bottom view thereof;  
 FIG. 6 is a left side elevational view thereof; and,  
 FIG. 7 is a right side elevational view thereof.  
 The broken lines illustrated form no part of the claimed design.

**1 Claim, 6 Drawing Sheets**



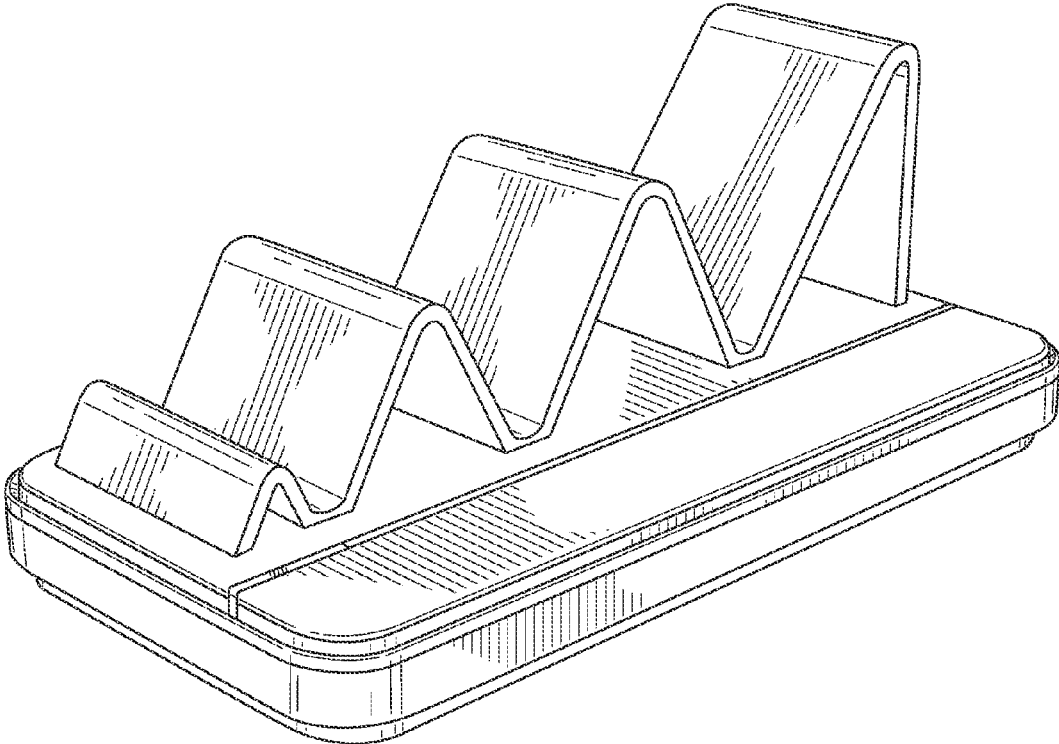


FIG. 1

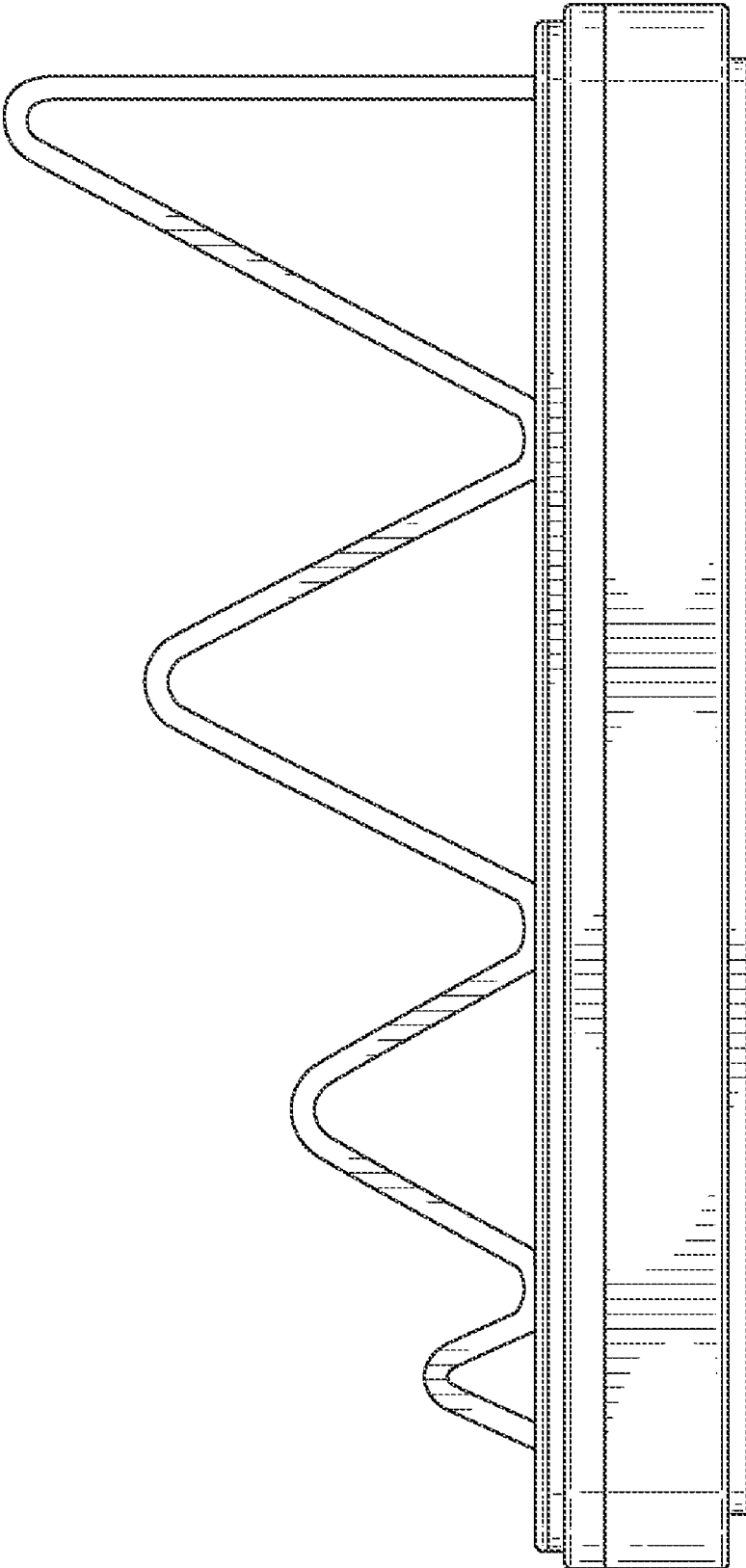


FIG. 2

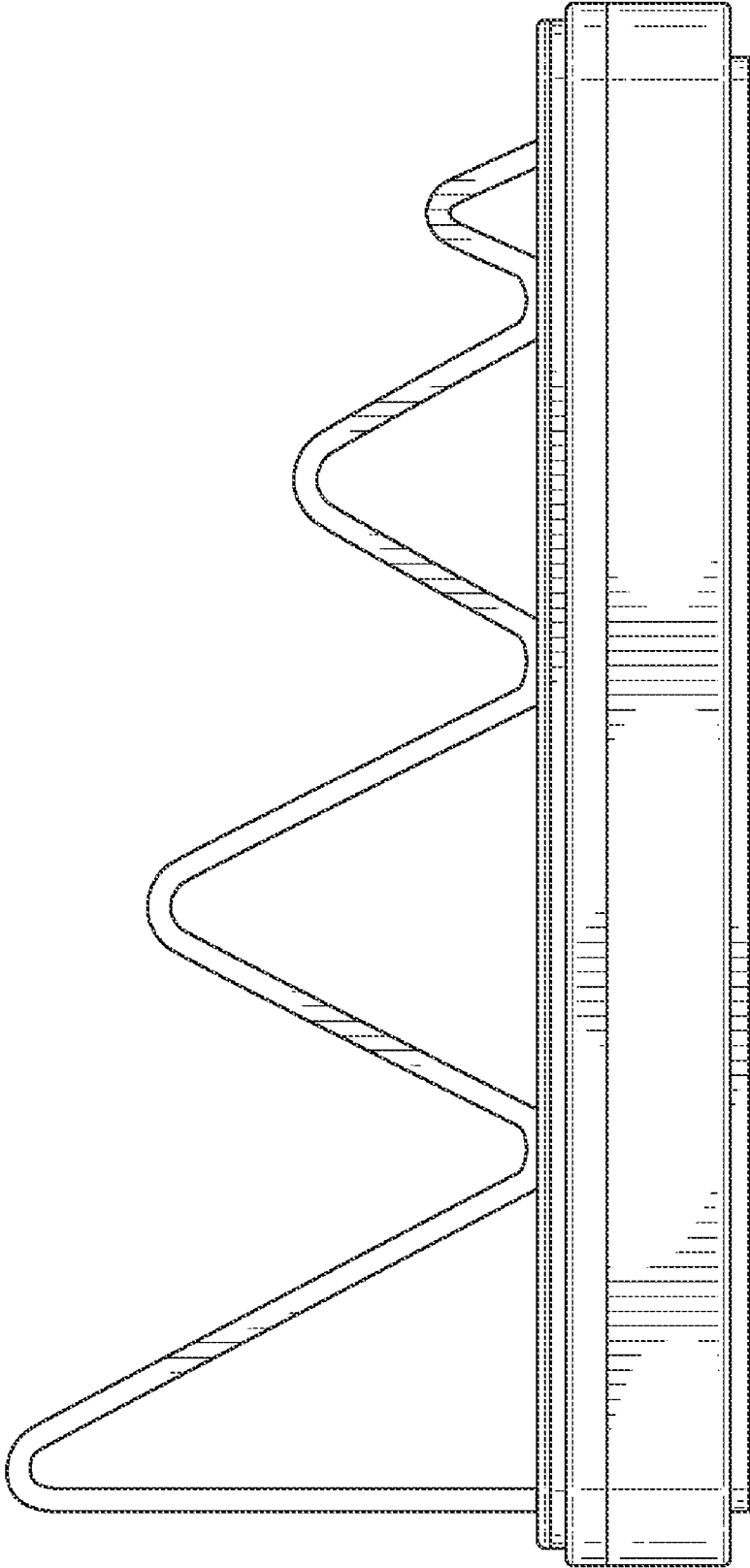


FIG. 3

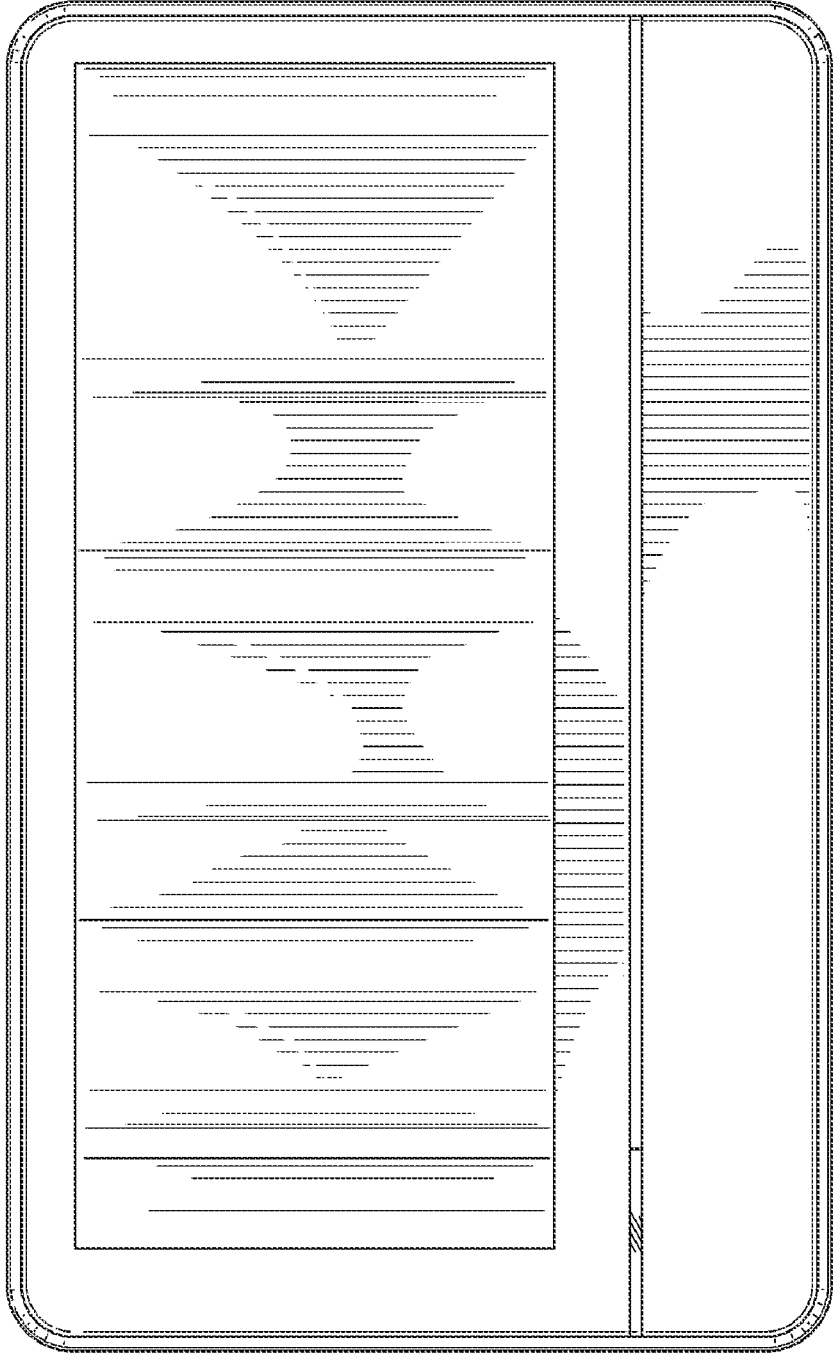


FIG. 4

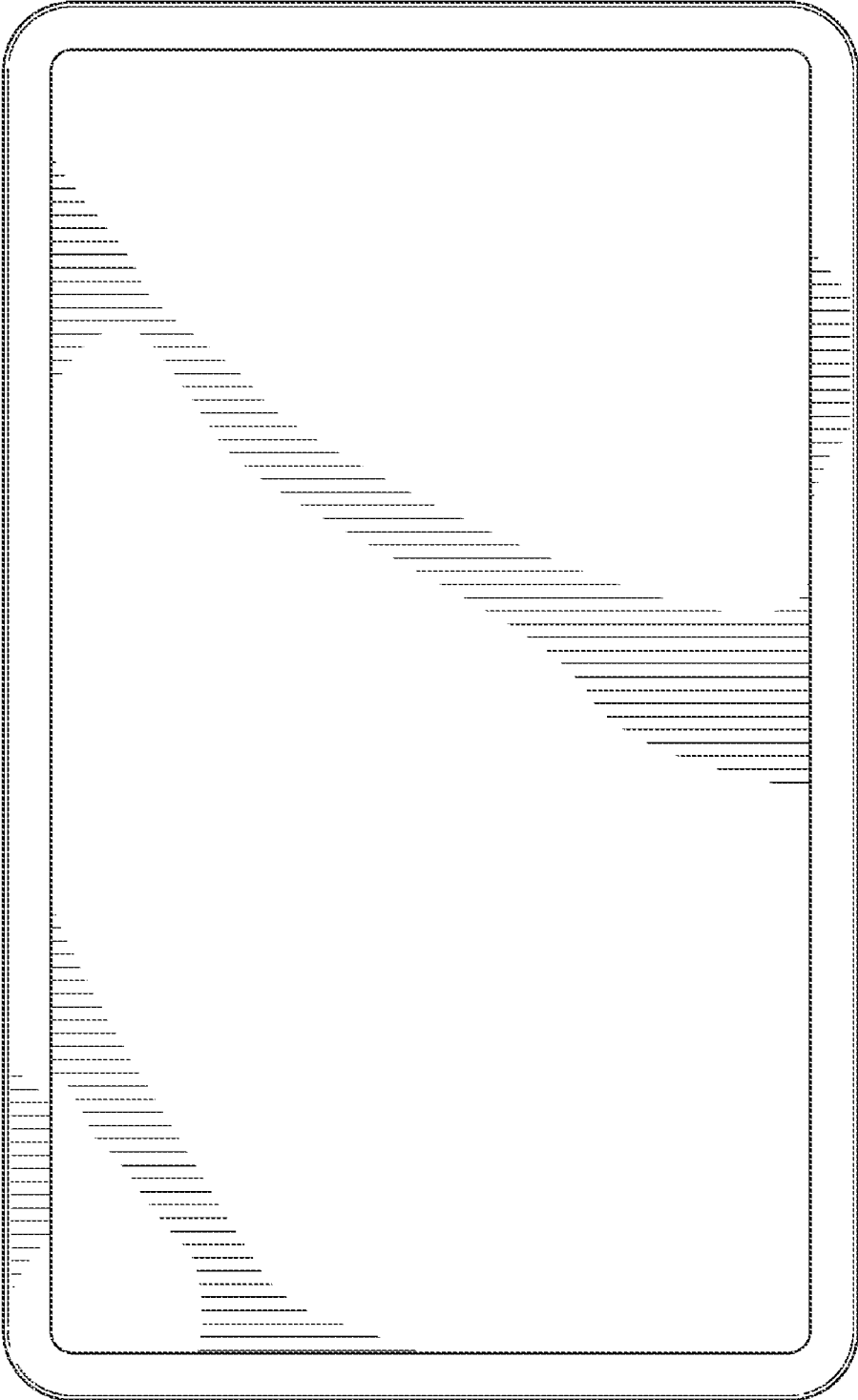


FIG. 5

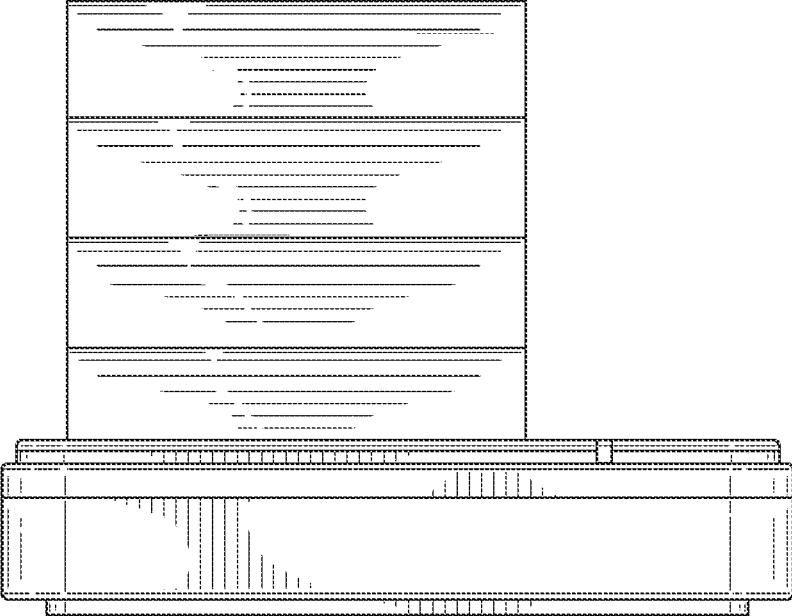


FIG. 6

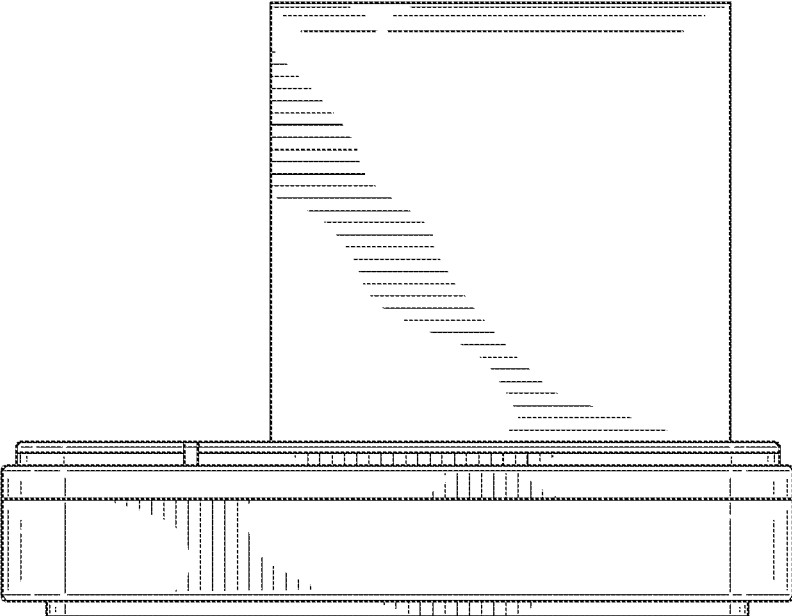


FIG. 7