



US00D645194S

(12) **United States Design Patent**
Budike, Jr. et al.

(10) **Patent No.:** **US D645,194 S**

(45) **Date of Patent:** **** Sep. 13, 2011**

(54) **LIGHT FIXTURE**

(75) Inventors: **Lothar E. S. Budike, Jr.**, Villanova, PA (US); **Dave Bina**, Northfield, OH (US)

(73) Assignee: **Powerweb Technologies, Inc.**, Villanova, PA (US)

(**) Term: **14 Years**

(21) Appl. No.: **29/342,765**

(22) Filed: **Aug. 31, 2009**

(51) **LOC (9) Cl.** **26-03**

(52) **U.S. Cl.** **D26/76**

(58) **Field of Classification Search** D26/72,
D26/74, 75, 76, 77, 78, 79, 80, 81, 82, 83,
D26/84, 85, 86, 88, 89, 90, 91, 1, 2, 3, 24,
D26/56; D13/180, 182; 362/555, 576, 147,
362/150, 217.01, 219, 217.02, 217.03, 217.04,
362/217.05, 217.08, 217.09, 260, 364, 365,
362/366, 404, 800

See application file for complete search history.

(56) **References Cited**

U.S. PATENT DOCUMENTS

D393,734	S	*	4/1998	Casteel	D26/76
D398,413	S	*	9/1998	Compton	D26/76
D429,357	S	*	8/2000	Grimm	D26/76
D512,792	S	*	12/2005	Benensohn	D26/76
D567,985	S	*	4/2008	Komar et al.	D26/84
D570,026	S	*	5/2008	Waldmann	D26/76
D573,744	S	*	7/2008	Engel	D26/76
D573,745	S	*	7/2008	Engel	D26/76
D573,746	S	*	7/2008	Engel	D26/76
D574,542	S	*	8/2008	Engel	D26/76

D597,701	S	*	8/2009	Tran et al.	D26/76
D610,735	S	*	2/2010	Chien	D26/76
D617,489	S	*	6/2010	Santoro	D26/76

* cited by examiner

Primary Examiner — Angela Lee

(74) *Attorney, Agent, or Firm* — McKenna Long & Aldridge LLP

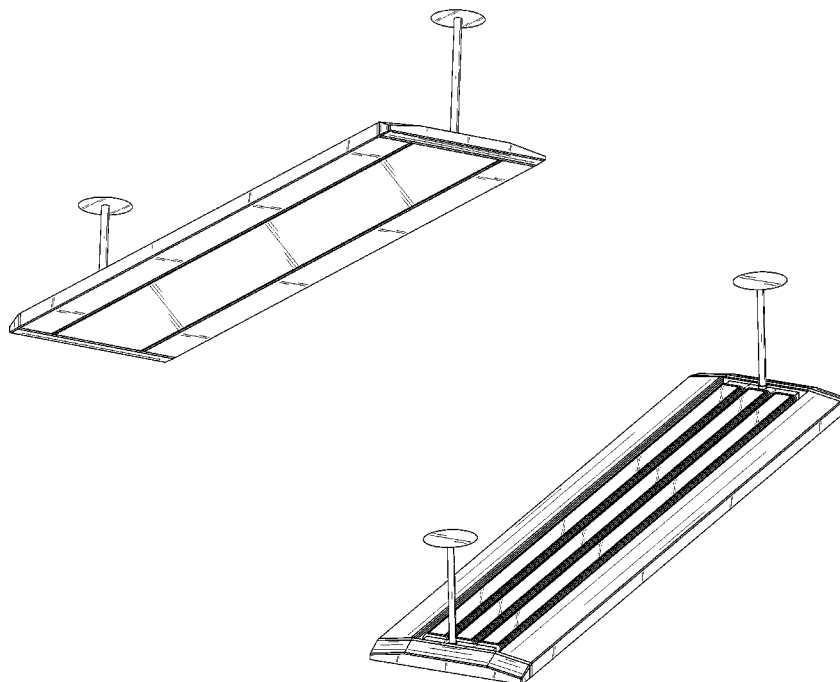
(57) **CLAIM**

The ornamental design for a light fixture, as shown and described.

DESCRIPTION

FIG. 1 is a bottom view of a first embodiment of a light fixture showing our new design;
 FIG. 2 is a top perspective view thereof;
 FIG. 3 is a right side view thereof;
 FIG. 4 is a left side view thereof;
 FIG. 5 is an end view thereof;
 FIG. 6 is another end view thereof;
 FIG. 7 is a bottom plan view thereof;
 FIG. 8 is a top plan view thereof;
 FIG. 9 is a bottom perspective view of a second embodiment of a light fixture showing our new design;
 FIG. 10 is a top perspective view thereof;
 FIG. 11 is a right side view thereof;
 FIG. 12 is a left side view thereof;
 FIG. 13 is an end view thereof;
 FIG. 14 is another end view thereof;
 FIG. 15 is bottom plan view thereof; and,
 FIG. 16 is a top plan view thereof.

1 Claim, 12 Drawing Sheets



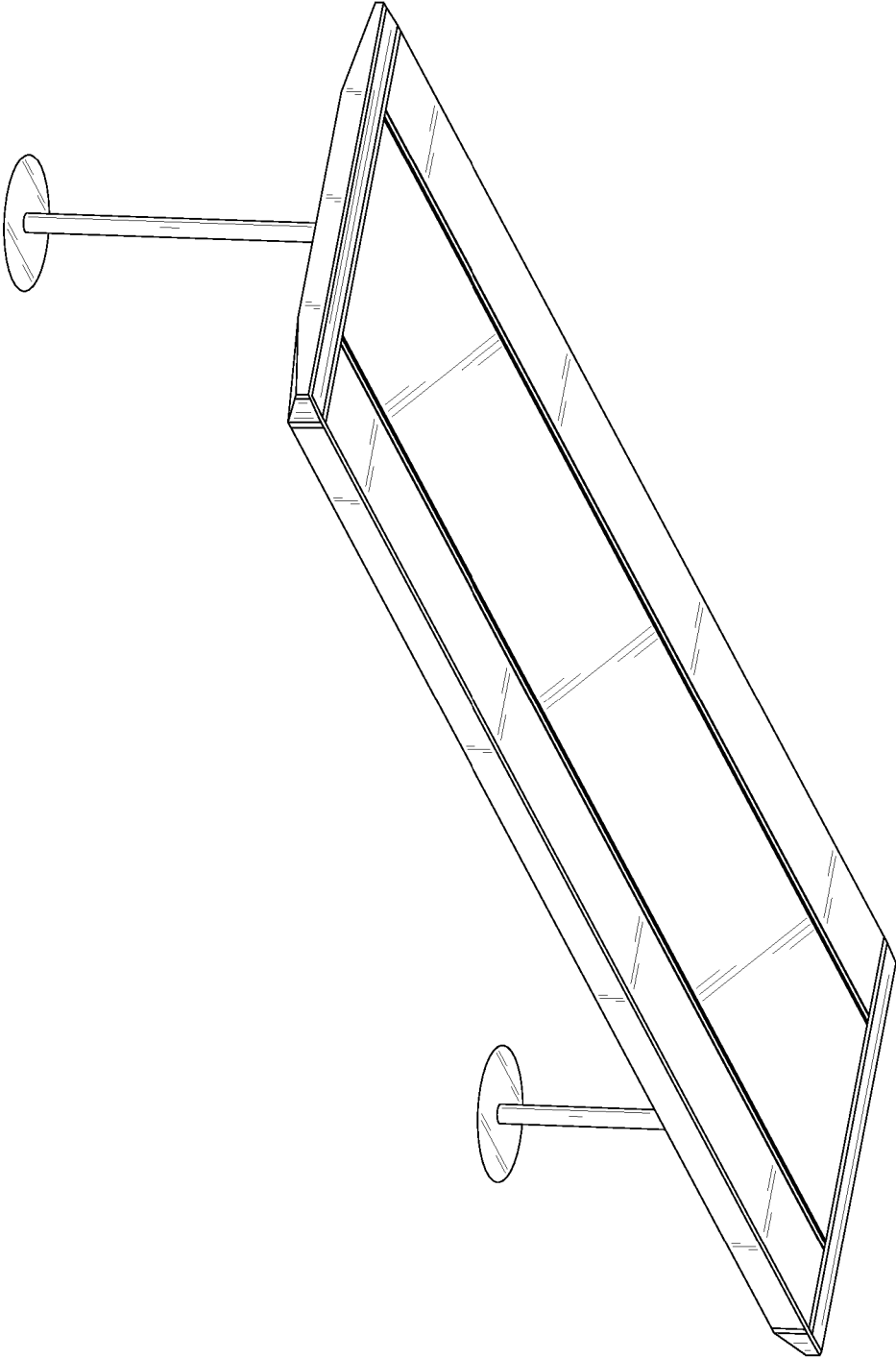


FIG. 1

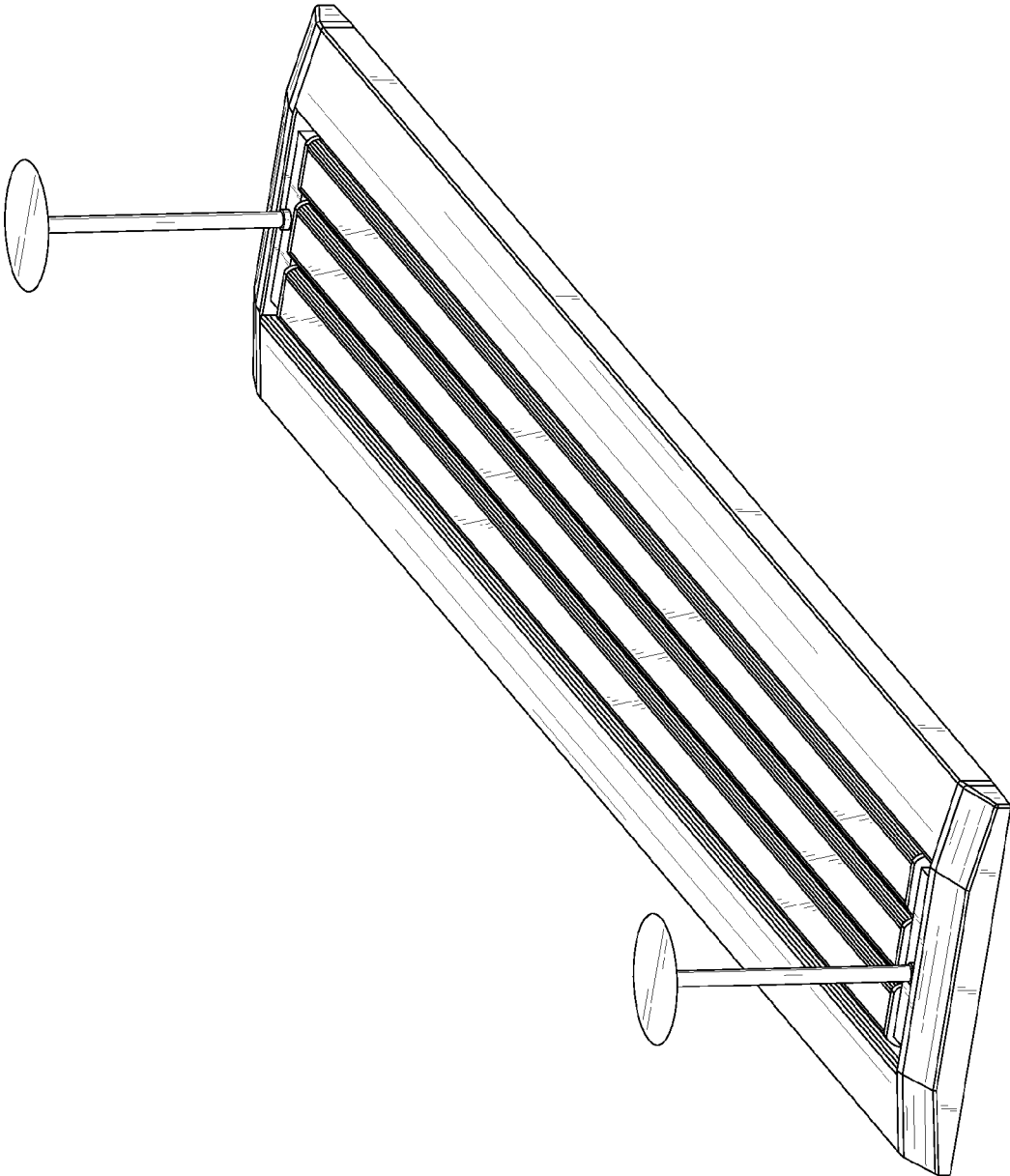


FIG. 2

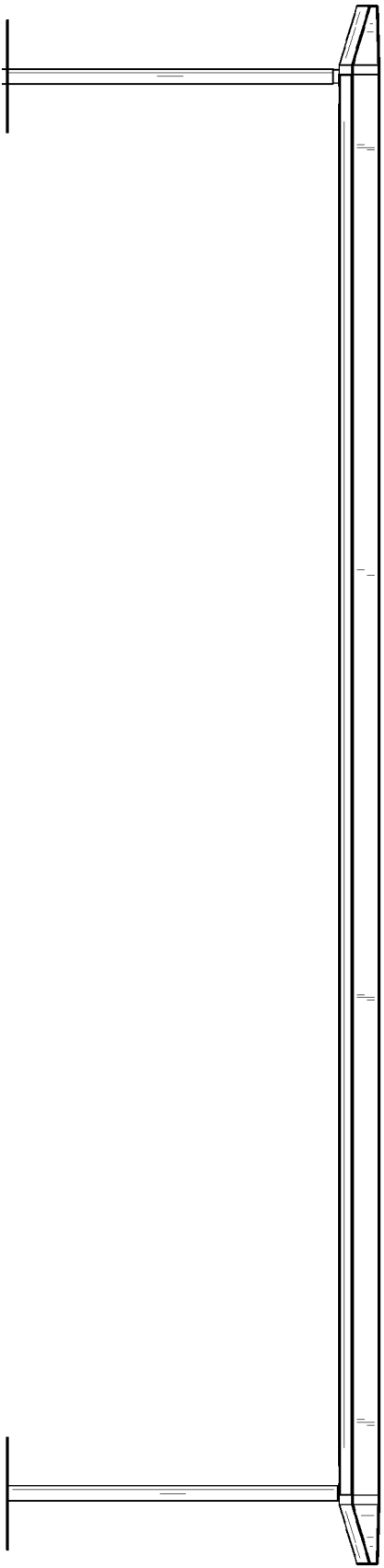


FIG. 3

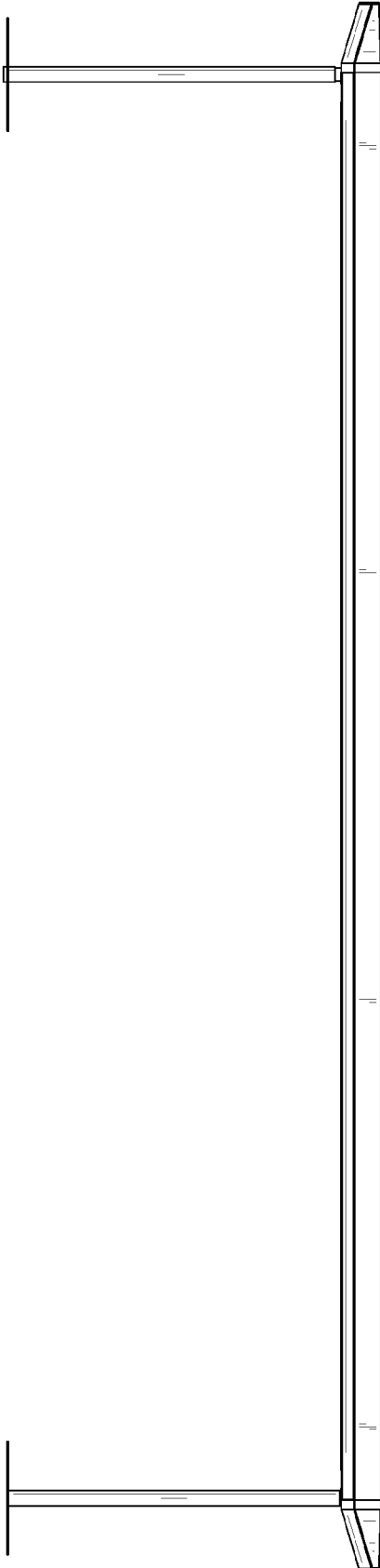


FIG. 4

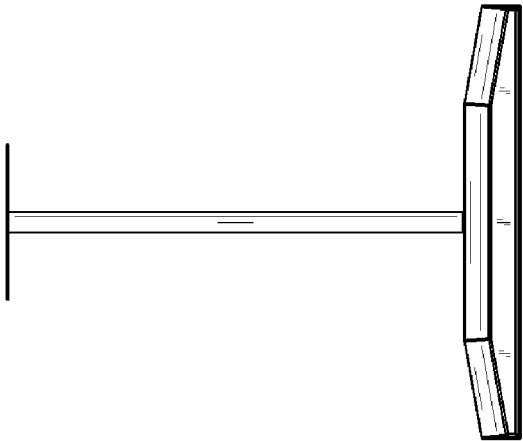


FIG. 6

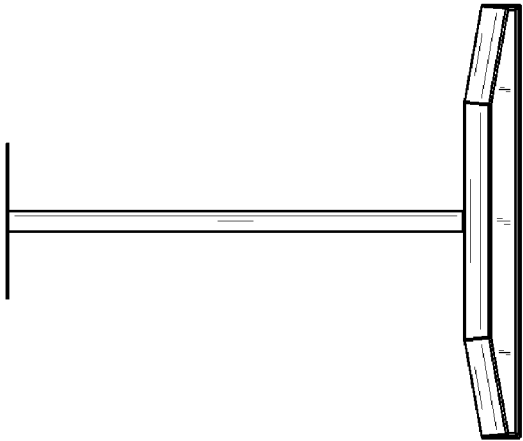


FIG. 5

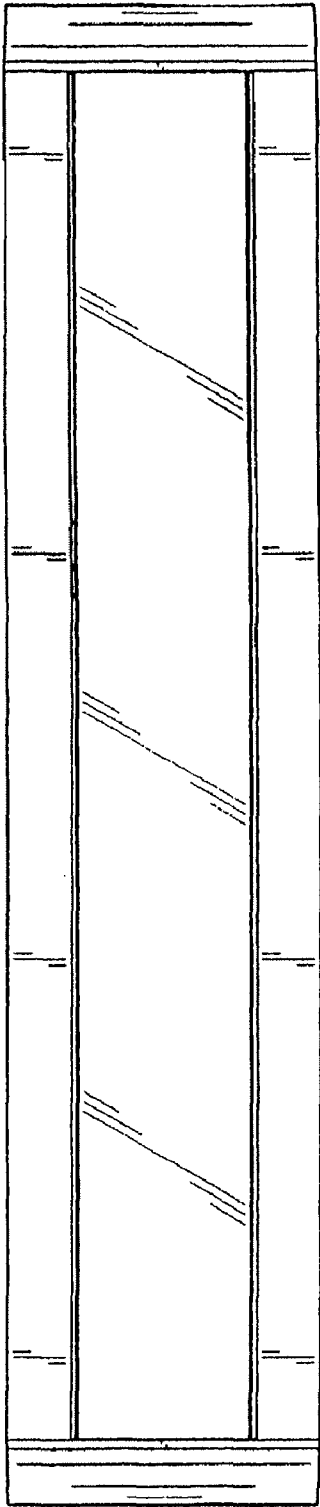


FIG. 7

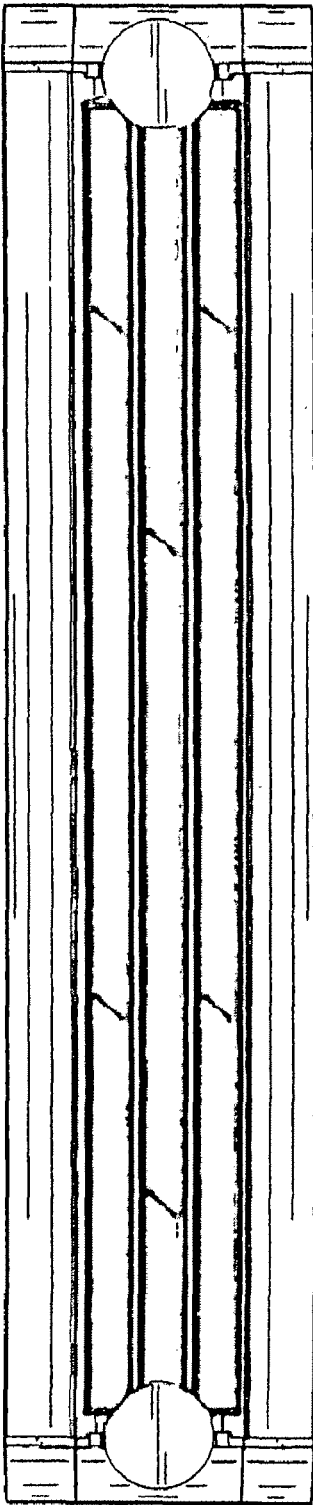
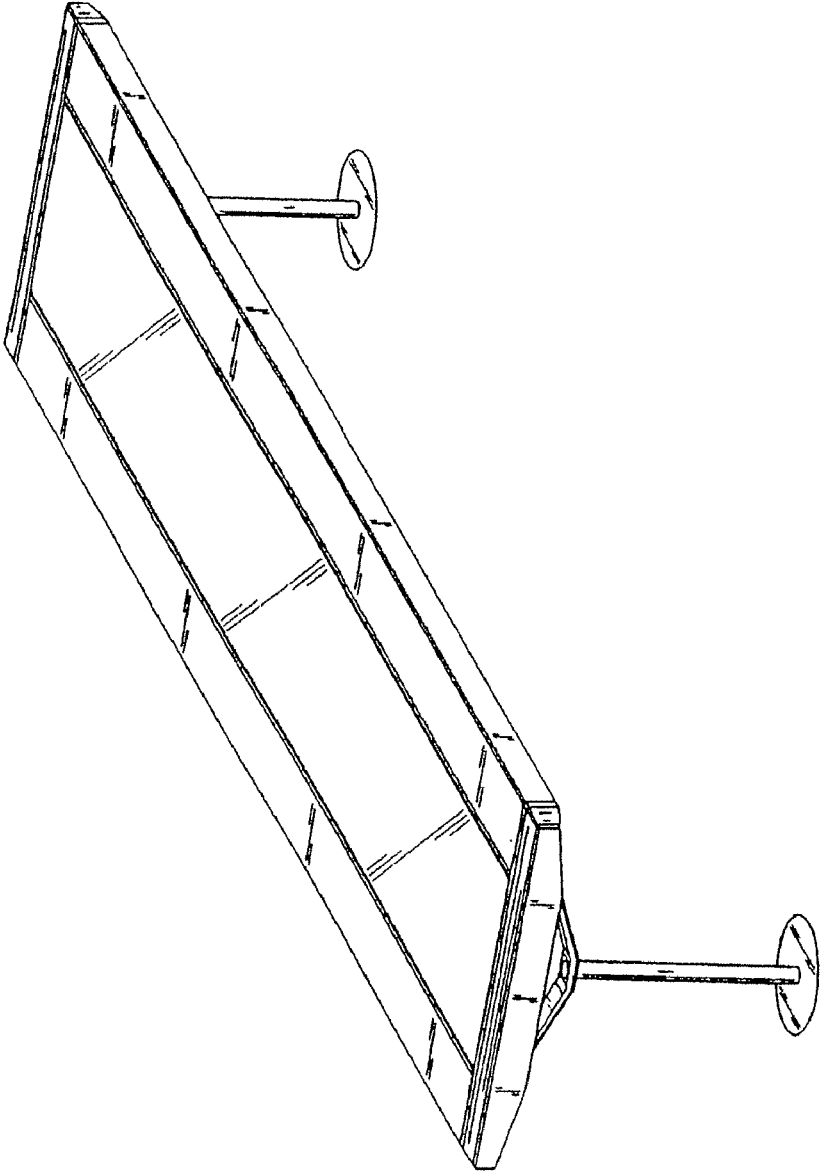


FIG. 8

FIG. 9



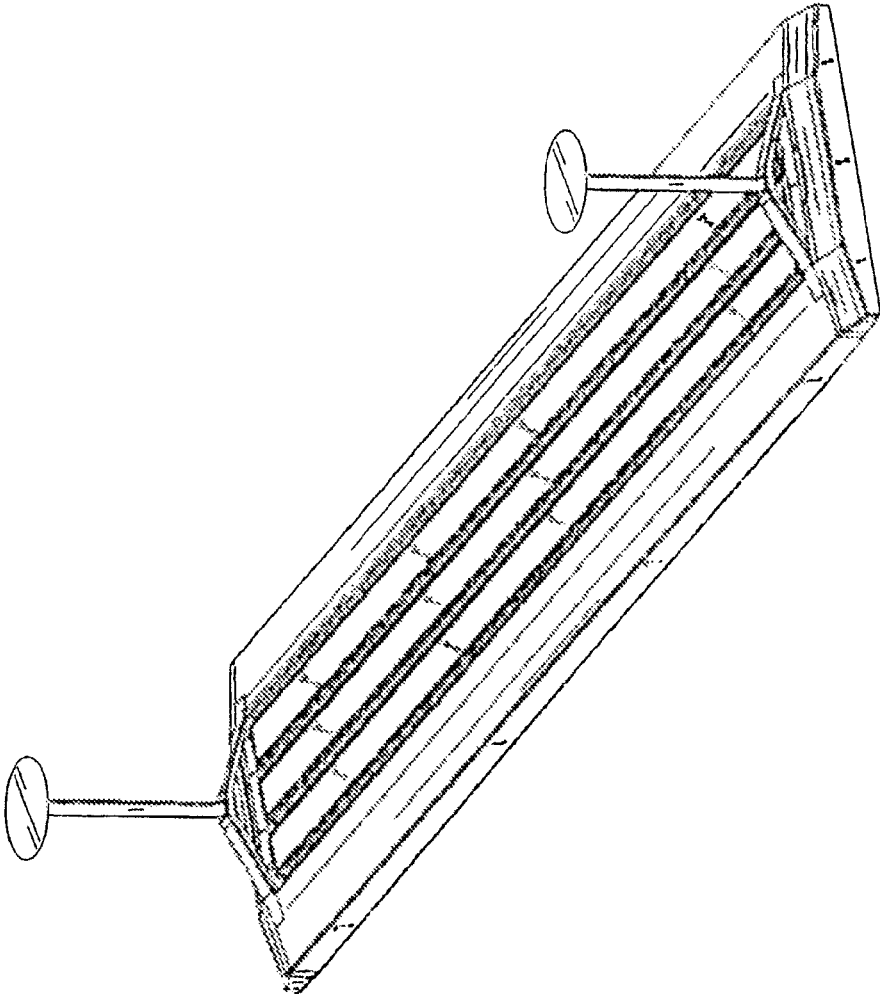


FIG. 10

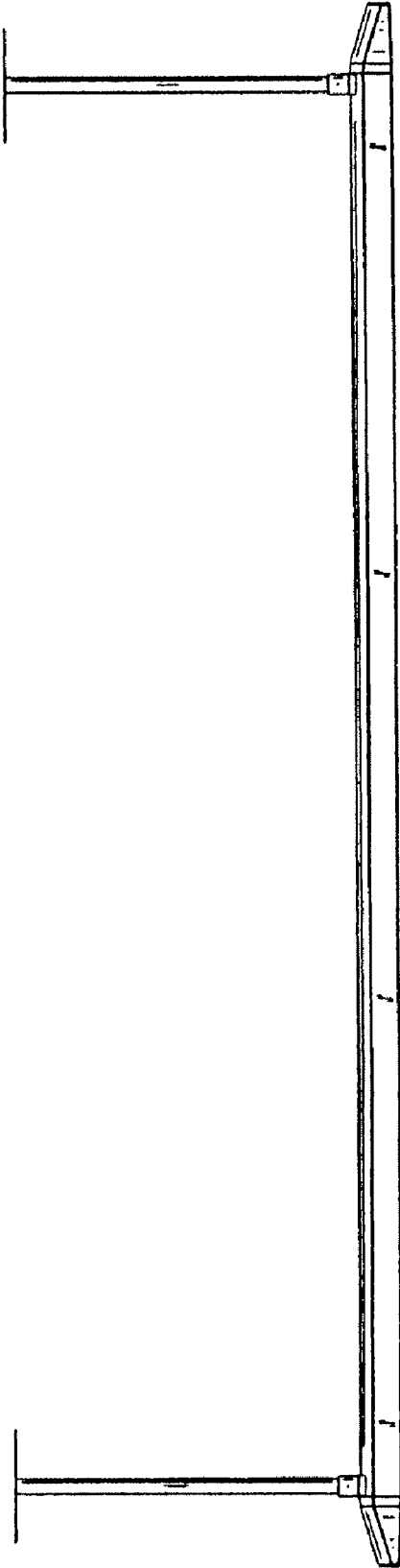


FIG. 11

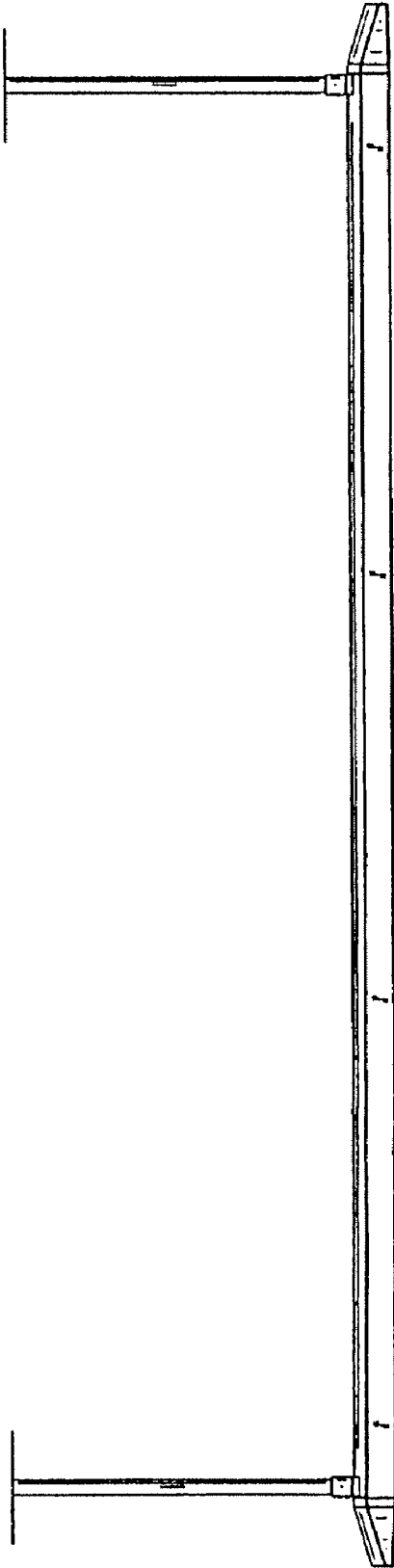


FIG. 12

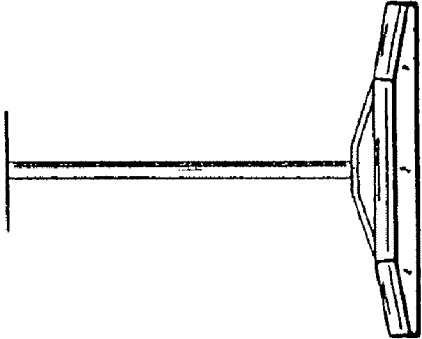


FIG. 14

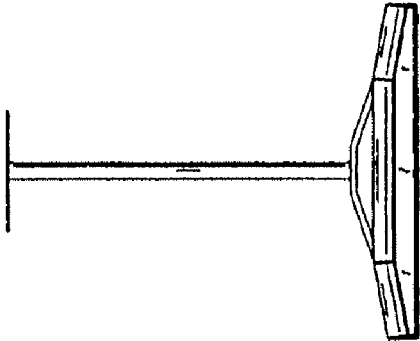


FIG. 13

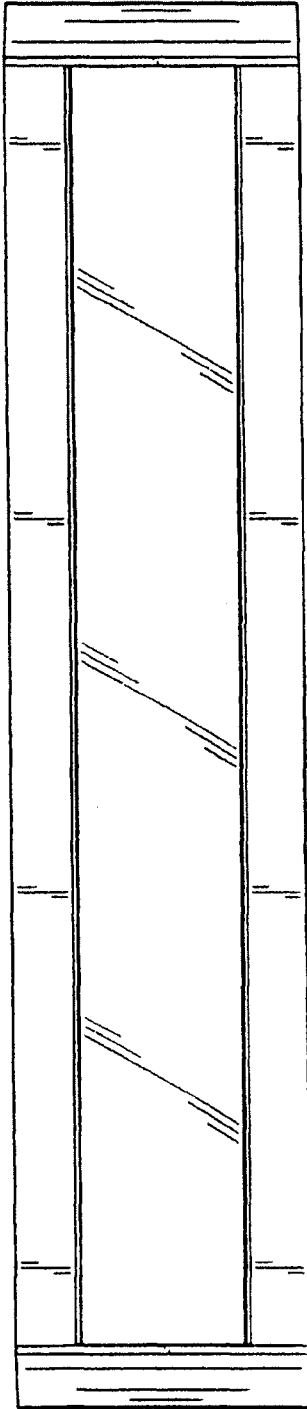


FIG. 15

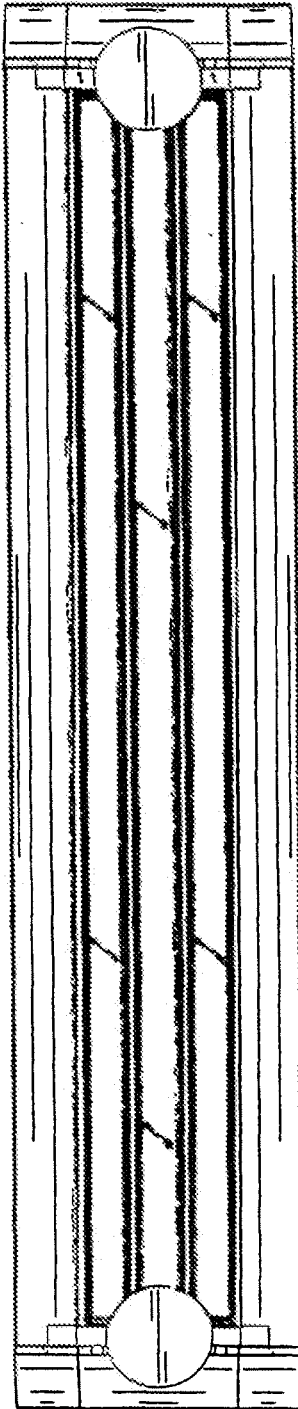


FIG. 16

UNITED STATES PATENT AND TRADEMARK OFFICE
CERTIFICATE OF CORRECTION

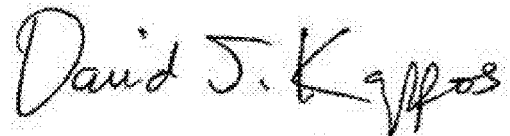
PATENT NO. : D645,194 S
APPLICATION NO. : 29/342765
DATED : September 13, 2011
INVENTOR(S) : Lothar E. S. Budike, Jr.

Page 1 of 8

It is certified that error appears in the above-identified patent and that said Letters Patent is hereby corrected as shown below:

Delete Figures 7-16 and replace with attached Figures 7-16.

Signed and Sealed this
Sixth Day of December, 2011

A handwritten signature in black ink that reads "David J. Kappos". The signature is written in a cursive style with a large initial "D" and "K".

David J. Kappos
Director of the United States Patent and Trademark Office

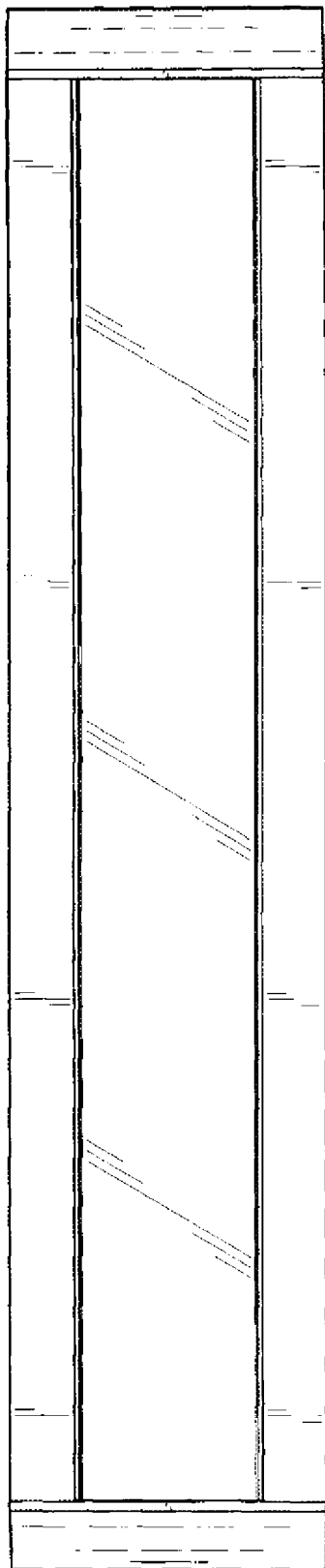


FIG. 7

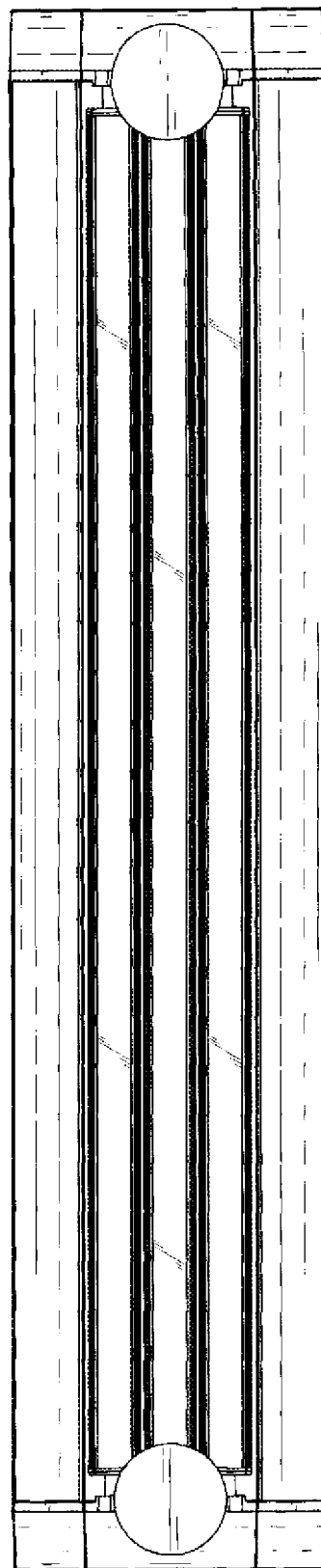


FIG. 8

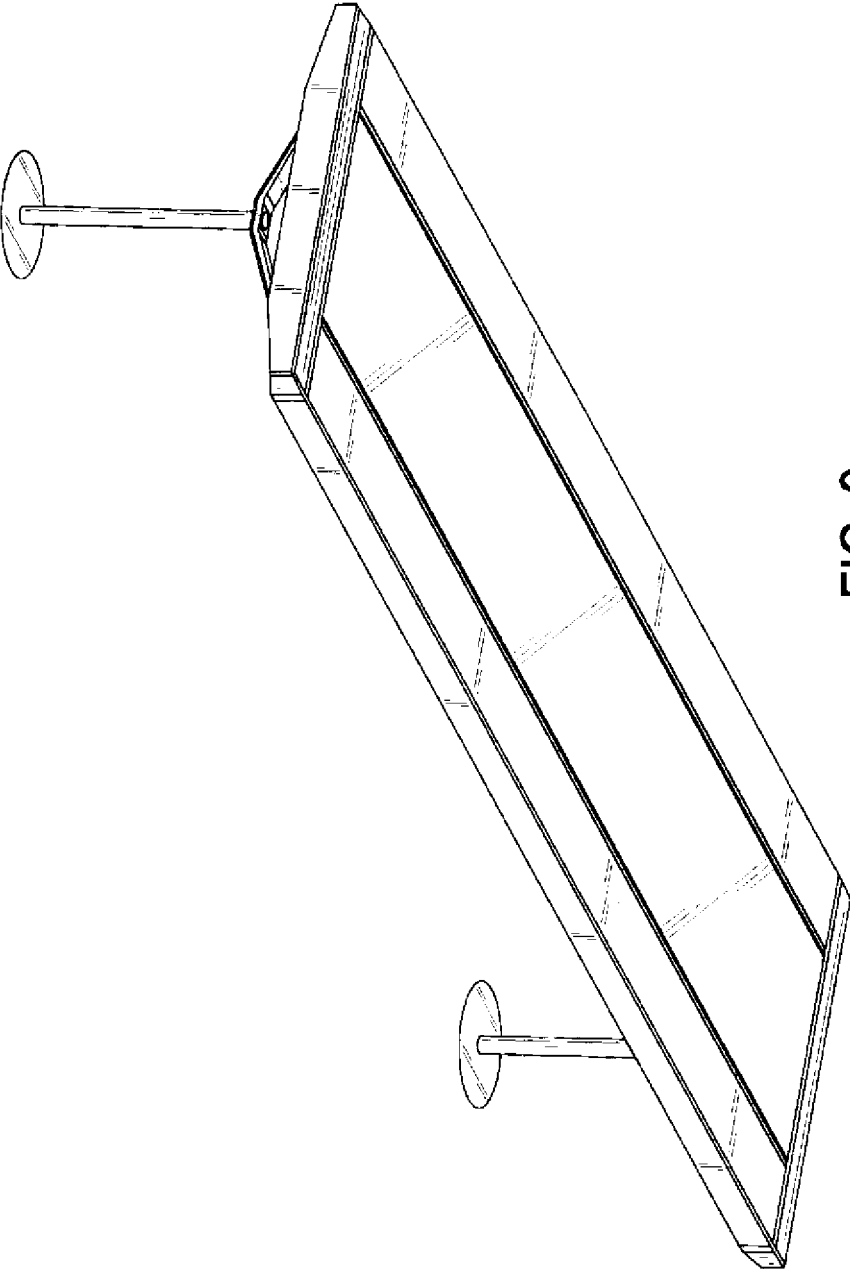


FIG. 9

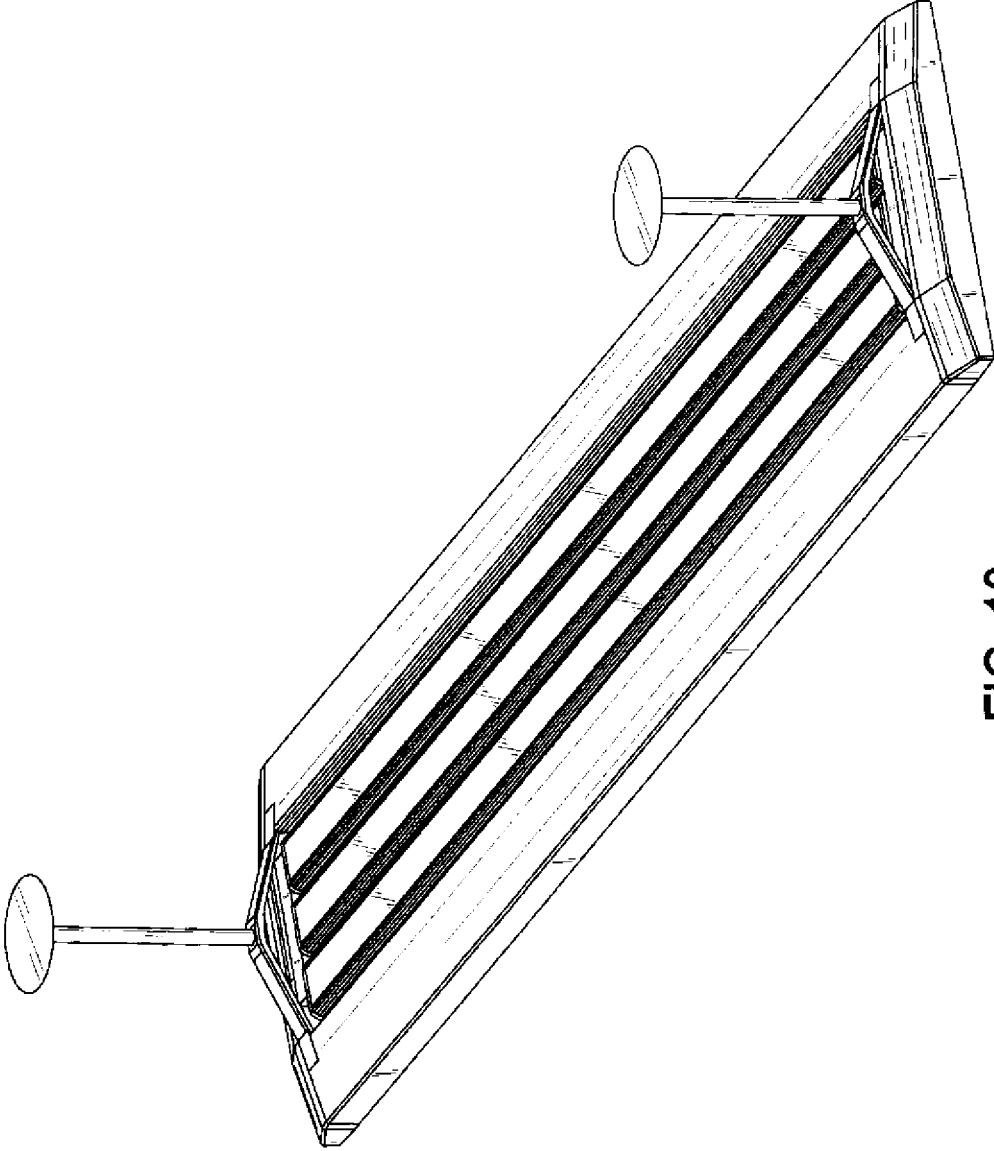


FIG. 10

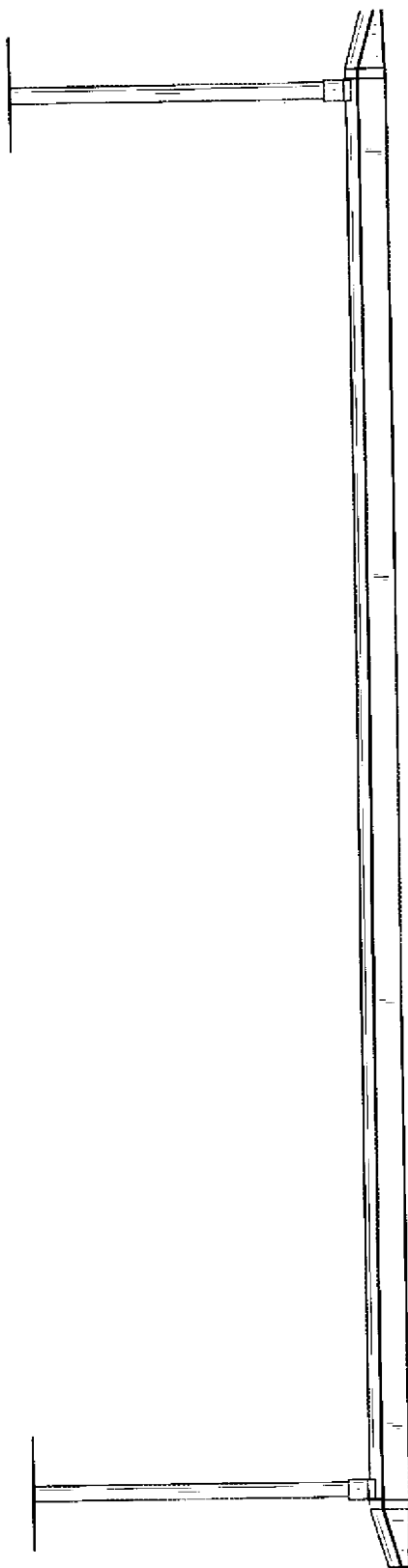


FIG. 11

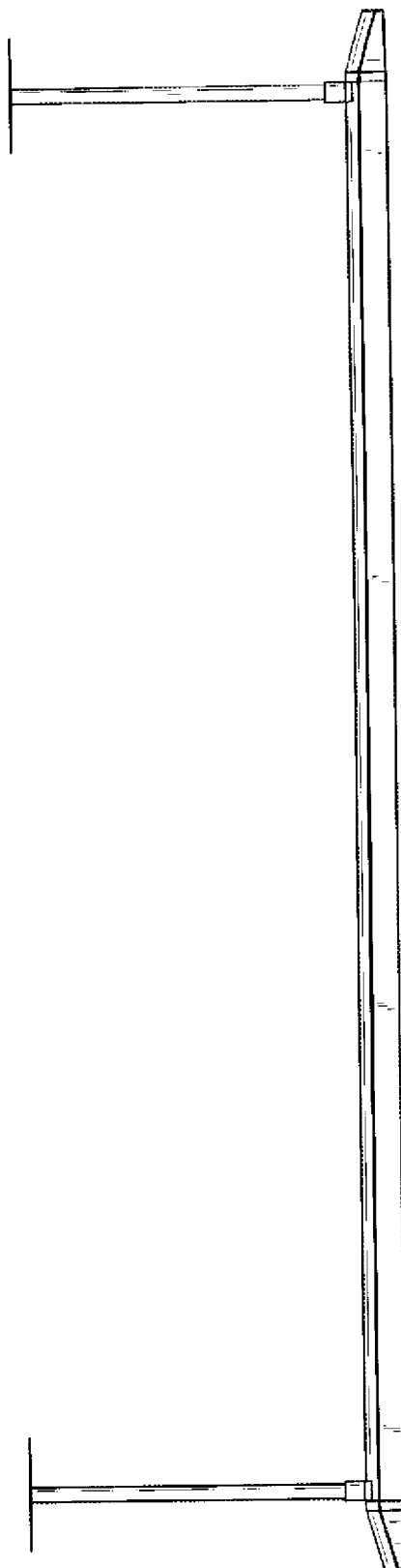


FIG. 12

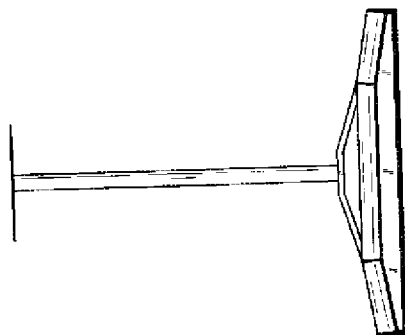


FIG. 14

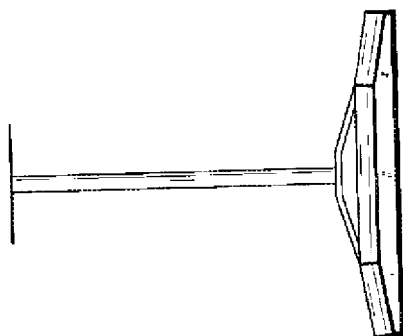


FIG. 13

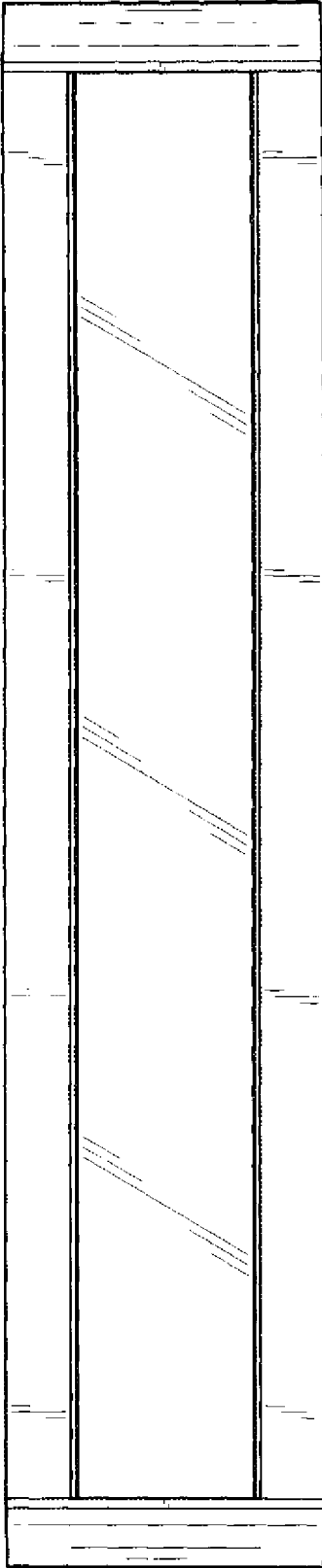


FIG. 15

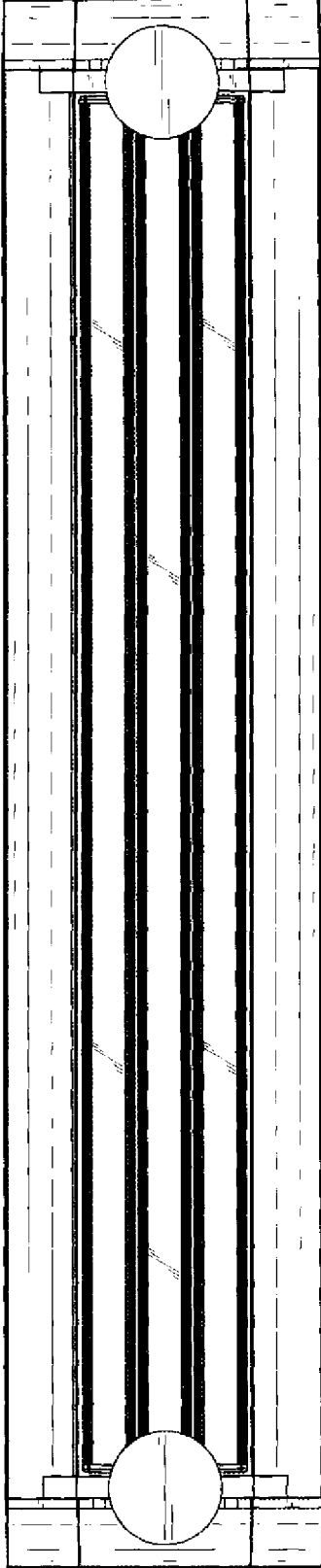


FIG. 16