



US00D652792S

(12) **United States Design Patent**
Budike, Jr.

(10) **Patent No.:** **US D652,792 S**

(45) **Date of Patent:** **** Jan. 24, 2012**

(54) **WAVE CHARGER**

(75) Inventor: **Lothar Budike, Jr.**, Villanova, PA (US)

(73) Assignee: **Hot Doc, Inc.**, Villanova, PA (US)

(**) Term: **14 Years**

(21) Appl. No.: **29/380,388**

(22) Filed: **Dec. 3, 2010**

(51) **LOC (9) Cl.** **13-02**

(52) **U.S. Cl.** **D13/107**

(58) **Field of Classification Search** D13/107-110,
D13/118-119, 184; D14/251, 253, 432,
D14/434; 320/107-115

See application file for complete search history.

(56) **References Cited**

U.S. PATENT DOCUMENTS

D242,675 S *	12/1976	McNair	D28/38
D461,814 S *	8/2002	Felix et al.	D14/434
D489,322 S *	5/2004	Sawai et al.	D13/108
D509,788 S *	9/2005	Schlieffers et al.	D13/108
D530,667 S *	10/2006	Viduya et al.	D13/107
D568,808 S *	5/2008	Hamasaki	D13/108
D621,346 S *	8/2010	Navid	D13/108

D638,020 S *	5/2011	Johnson et al.	D14/434
D638,789 S *	5/2011	Markowitz	D13/108
D642,122 S *	7/2011	Budike, Jr.	D13/108
D642,124 S *	7/2011	Budike, Jr.	D13/108
D642,521 S *	8/2011	Markowitz	D13/108
D642,522 S *	8/2011	Budike, Jr.	D13/108

* cited by examiner

Primary Examiner — Rosemary K Tarcza

(74) *Attorney, Agent, or Firm* — Volpe and Koenig, P.C.

(57) **CLAIM**

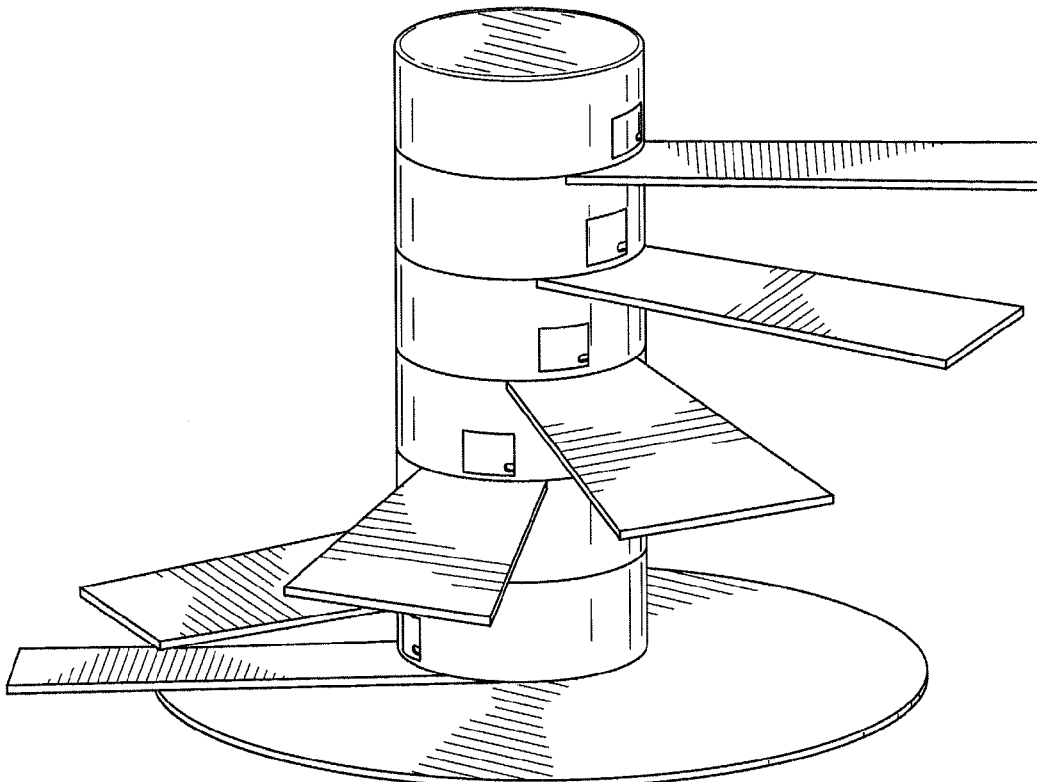
The ornamental design for a wave charger, as shown and described.

DESCRIPTION

FIG. 1 is a top, front, right perspective view of a first embodiment of a wave charger in accordance with my design; FIG. 2 is a front elevational view thereof; FIG. 3 is a right side elevational view thereof; FIG. 4 is a rear elevational view thereof; FIG. 5 is a left side elevational view thereof; FIG. 6 is a top plan view thereof; and, FIG. 7 is a bottom view thereof.

The broken lines shown form no part of the claimed design.

1 Claim, 7 Drawing Sheets



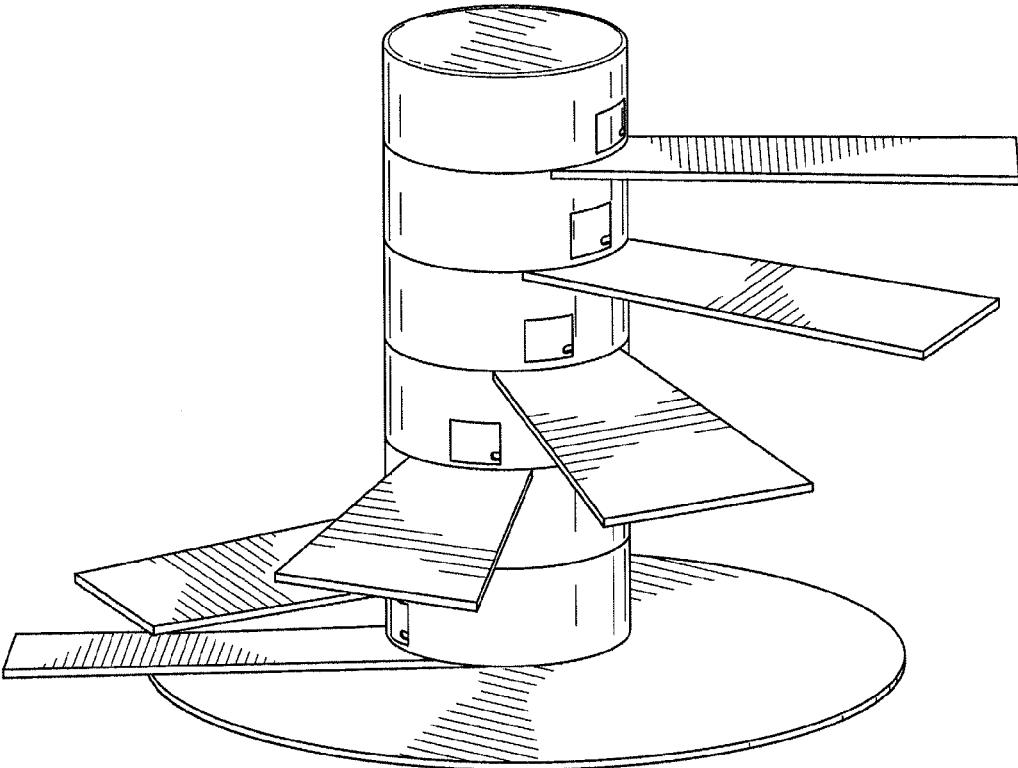


FIG. 1

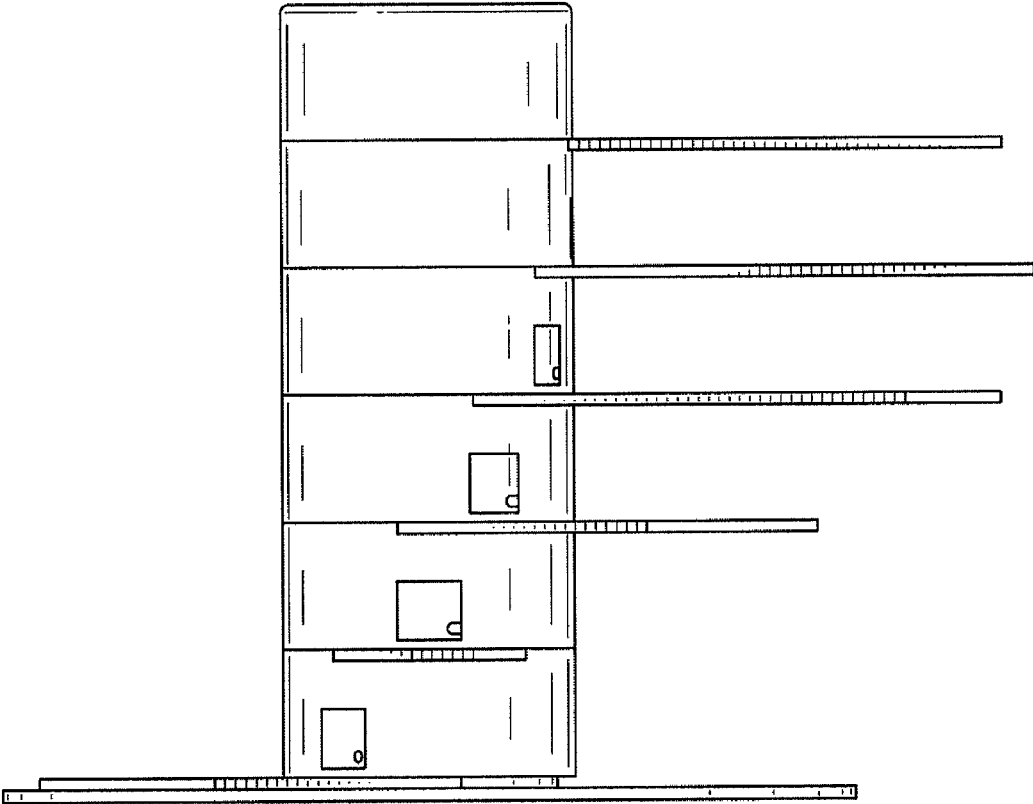


FIG. 2

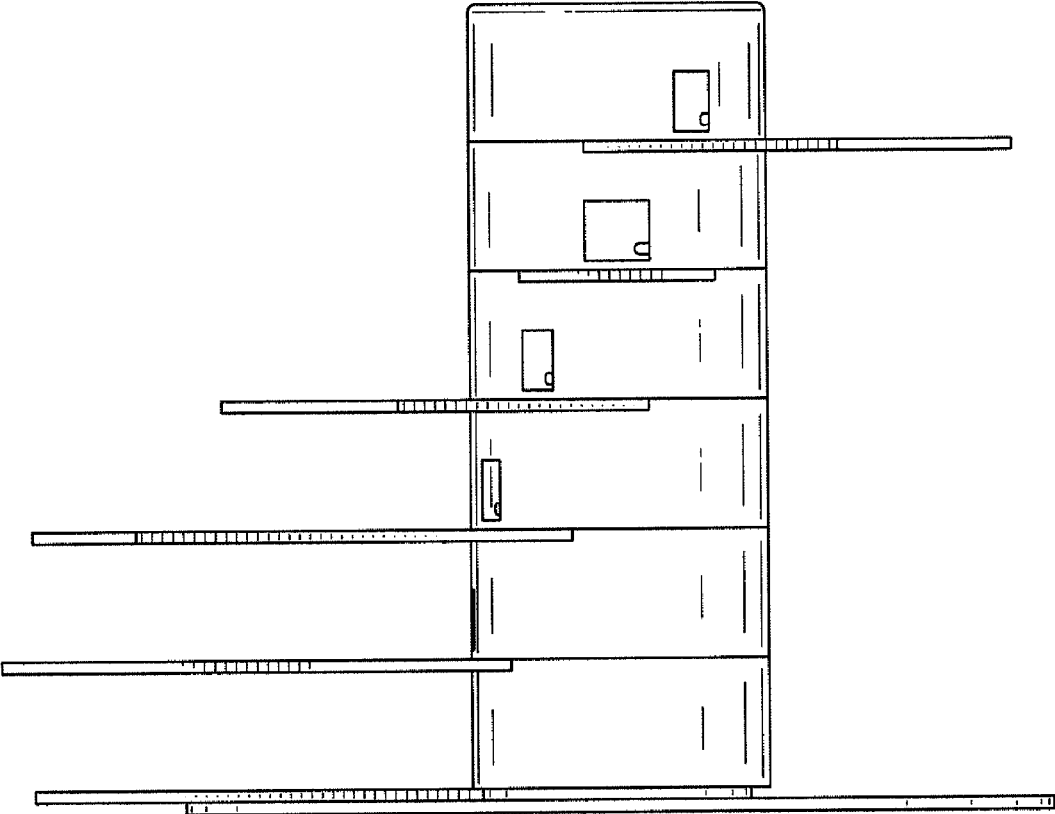


FIG. 3

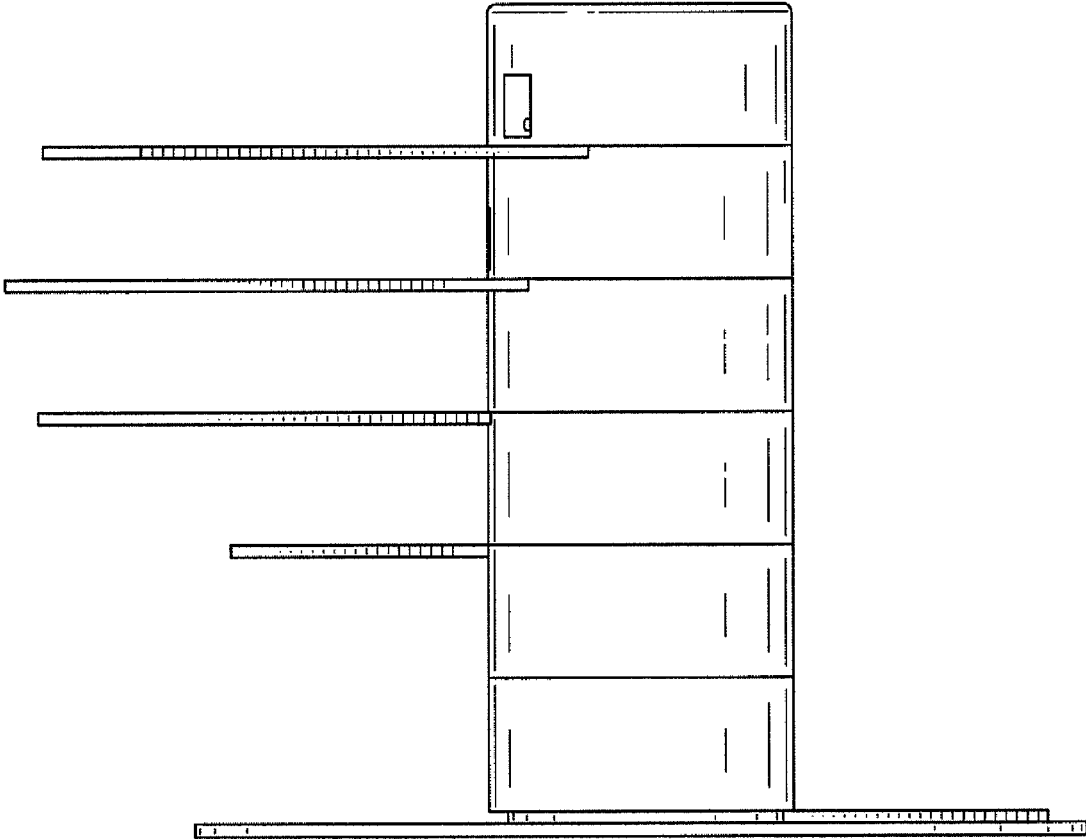


FIG. 4

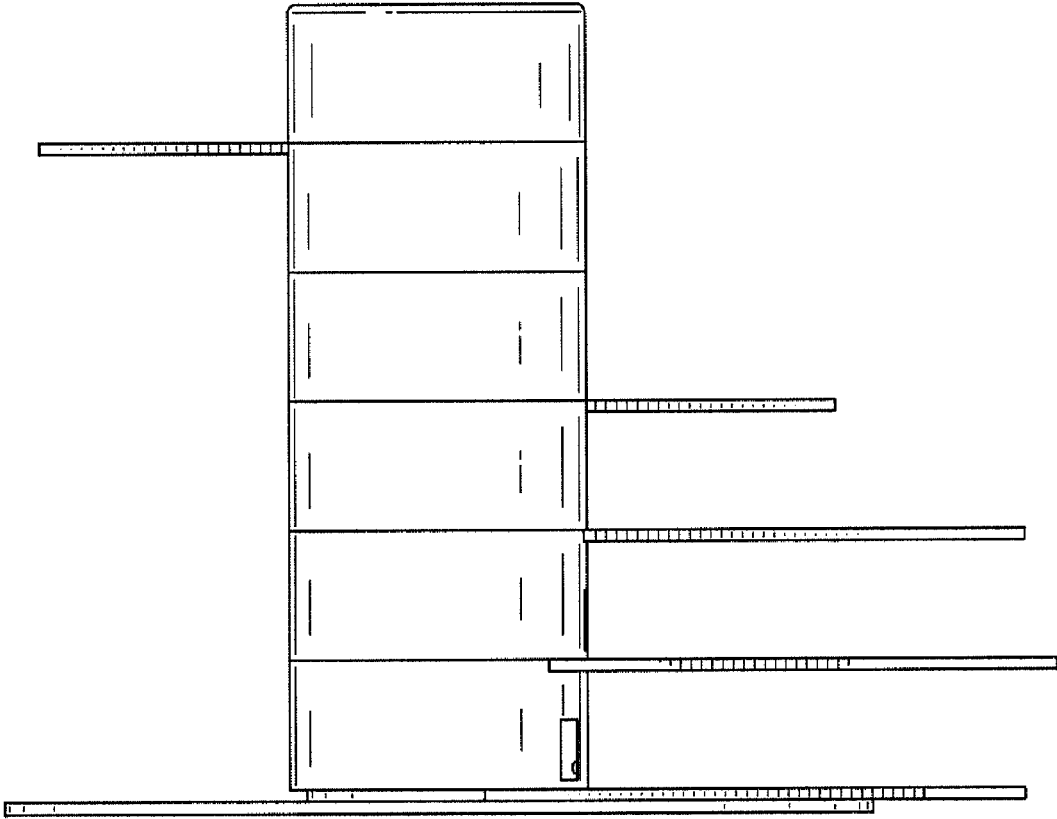


FIG. 5

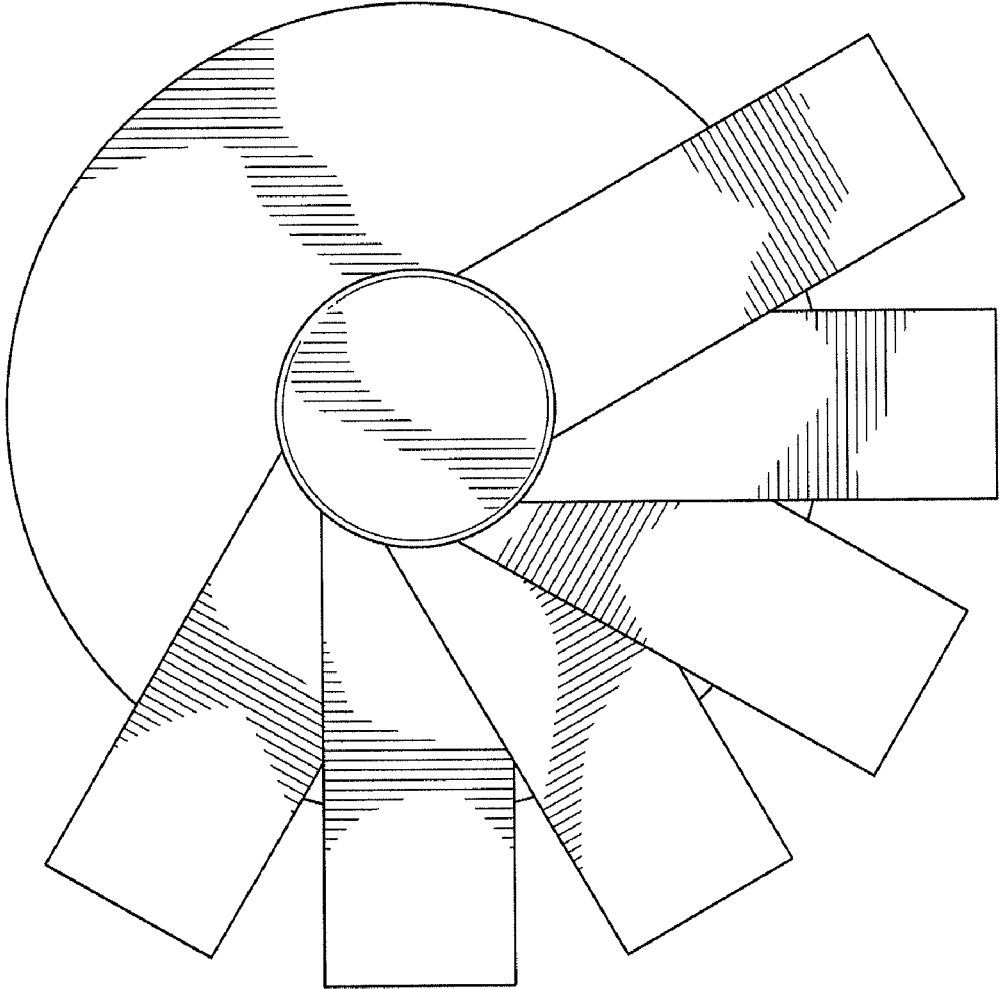


FIG. 6

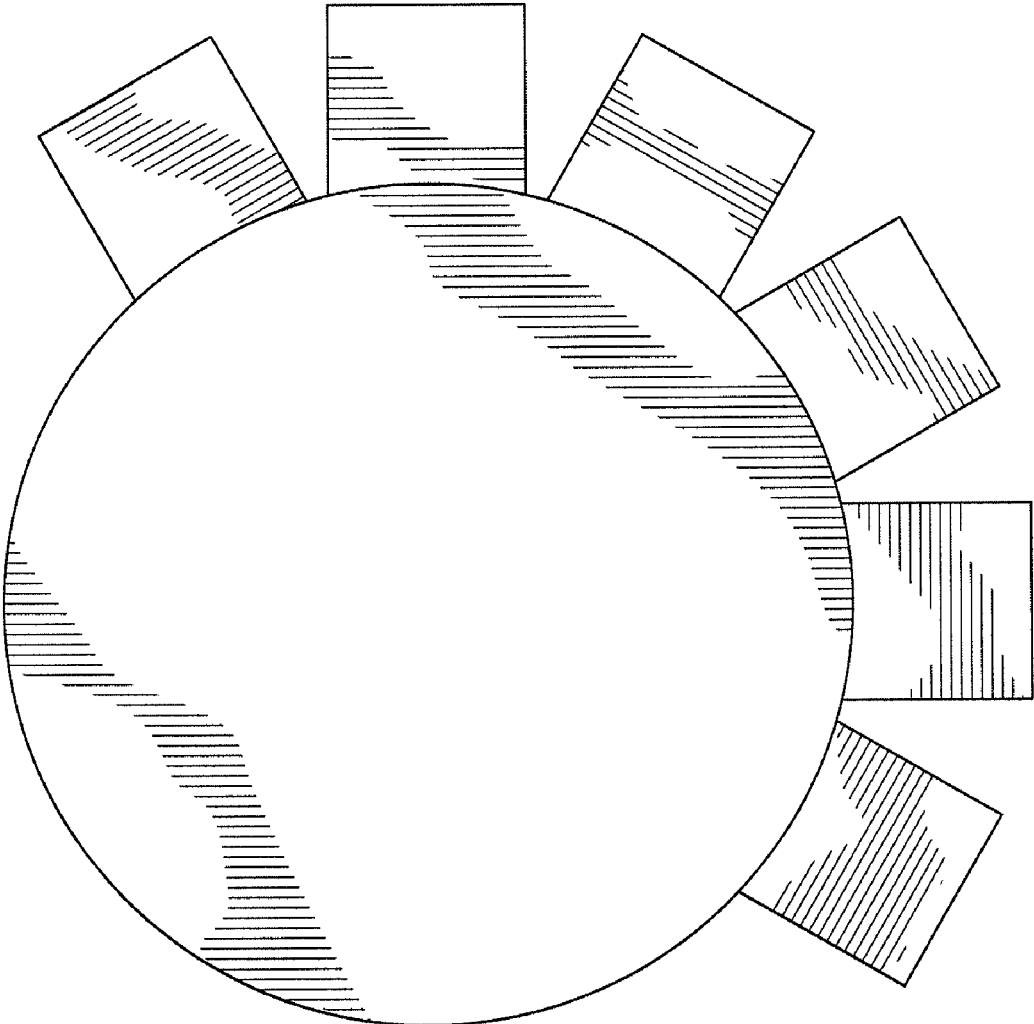


FIG. 7