



(12) **United States Design Patent**
Budike, Jr.

(10) **Patent No.:** **US D650,329 S**
(45) **Date of Patent:** **** *Dec. 13, 2011**

(54) **WAVE CHARGER**

(75) Inventor: **Lothar Budike, Jr.**, Villanova, PA (US)

(73) Assignee: **Hot Doc, Inc.**, Villanova, PA (US)

(*) Notice: This patent is subject to a terminal disclaimer.

(**) Term: **14 Years**

(21) Appl. No.: **29/377,663**

(22) Filed: **Oct. 25, 2010**

(51) **LOC (9) Cl.** **13-02**

(52) **U.S. Cl.** **D13/108**

(58) **Field of Classification Search** D13/107-110,
D13/118-119, 184, 199; D14/251, 253,
D14/432, 434; 320/107-115

See application file for complete search history.

(56) **References Cited**

U.S. PATENT DOCUMENTS

2,772,382	A	*	11/1956	Escoffery	257/658
D444,472	S	*	7/2001	Russell et al.	D14/434
D465,532	S	*	11/2002	Hussaini et al.	D21/333
D476,659	S	*	7/2003	Ying et al.	D14/434
D509,788	S	*	9/2005	Schlieffers et al.	D13/108
D532,366	S	*	11/2006	Koizumi	D13/108
D540,802	S	*	4/2007	Hussaini et al.	D14/434
D579,408	S	*	10/2008	Benyameen	D13/107
D597,940	S	*	8/2009	Navid	D13/108
D620,432	S	*	7/2010	Chen et al.	D13/110
D623,132	S	*	9/2010	Yano	D13/108
D628,562	S	*	12/2010	Akana et al.	D14/217
D633,039	S	*	2/2011	Nomi et al.	D13/108

* cited by examiner

Primary Examiner — Rosemary K Tarcza

(74) *Attorney, Agent, or Firm* — Volpe and Koenig, P.C.

(57) **CLAIM**

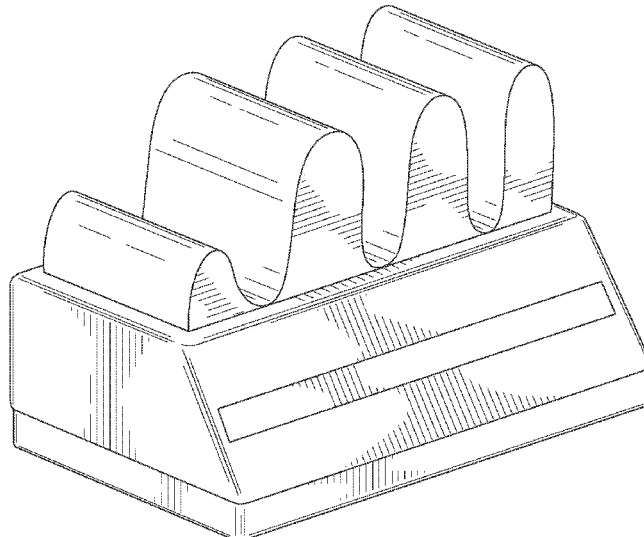
The ornamental design for a wave charger, as shown and described.

DESCRIPTION

FIG. 1 is a perspective view of a first embodiment of a wave charger in accordance with my design;
 FIG. 2 is a front elevational view thereof;
 FIG. 3 is a rear elevational view thereof;
 FIG. 4 is a right side elevational view thereof;
 FIG. 5 is a left side elevational view thereof;
 FIG. 6 is a top plan view thereof; and
 FIG. 7 is a bottom view thereof;
 FIG. 8 is a perspective view of a second embodiment of a wave charger in accordance with my design;
 FIG. 9 is a front elevational view thereof;
 FIG. 10 is a rear elevational view thereof;
 FIG. 11 is a right side elevational view thereof;
 FIG. 12 is a left side elevational view thereof;
 FIG. 13 is a top plan view thereof; and
 FIG. 14 is a bottom view thereof;
 FIG. 15 is a perspective view of a third embodiment of a wave charger in accordance with my design;
 FIG. 16 is a front elevational view thereof;
 FIG. 17 is a rear elevational view thereof;
 FIG. 18 is a right side elevational view thereof;
 FIG. 19 is a left side elevational view thereof;
 FIG. 20 is a top plan view thereof; and
 FIG. 21 is a bottom view thereof;
 FIG. 22 is a perspective view of a fourth embodiment of a wave charger in accordance with my design;
 FIG. 23 is a front elevational view thereof;
 FIG. 24 is a rear elevational view thereof;
 FIG. 25 is a right side elevational view thereof;
 FIG. 26 is a left side elevational view thereof;
 FIG. 27 is a top plan view thereof; and
 FIG. 28 is a bottom view thereof.

The broken lines shown form no part of the claimed design.

1 Claim, 17 Drawing Sheets



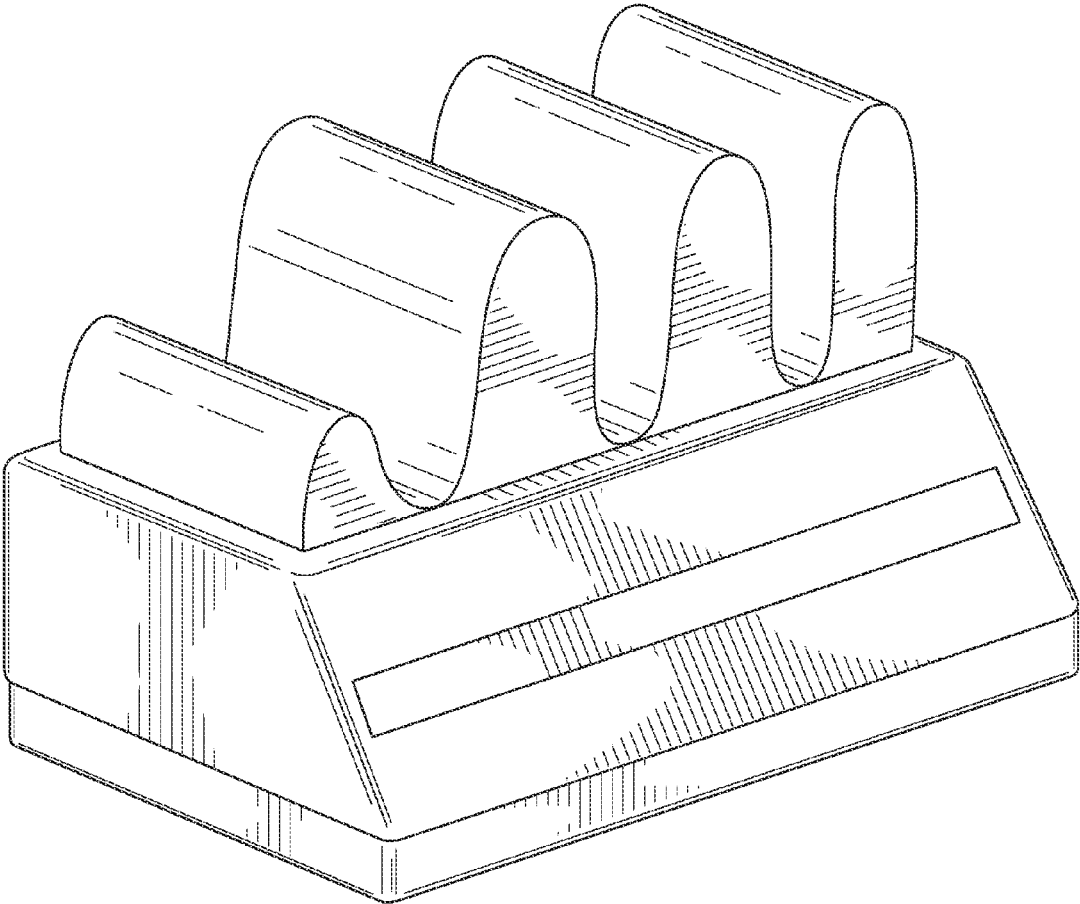


FIG. 1

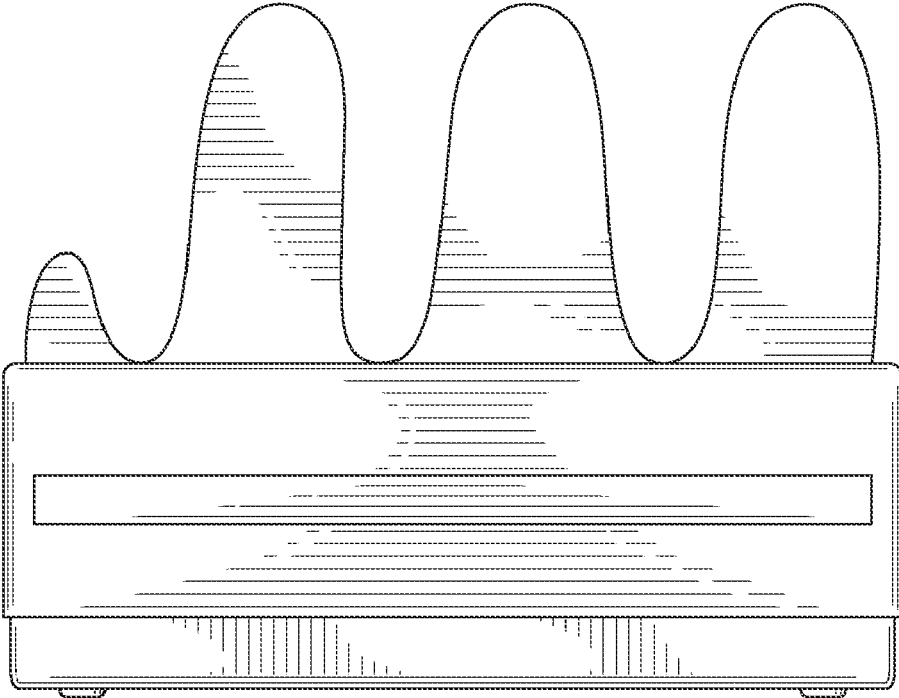


FIG. 2

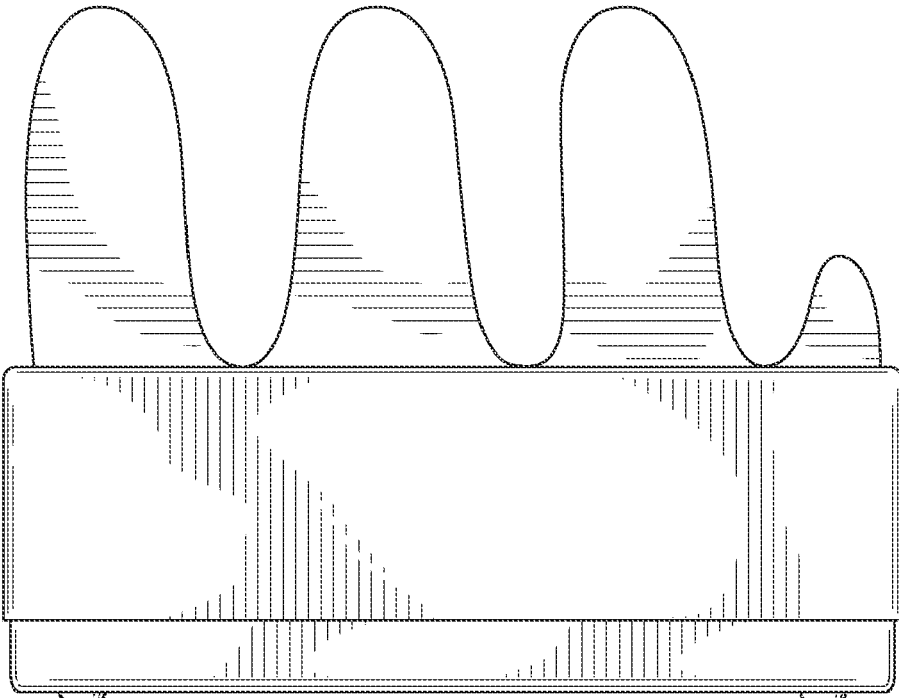


FIG. 3

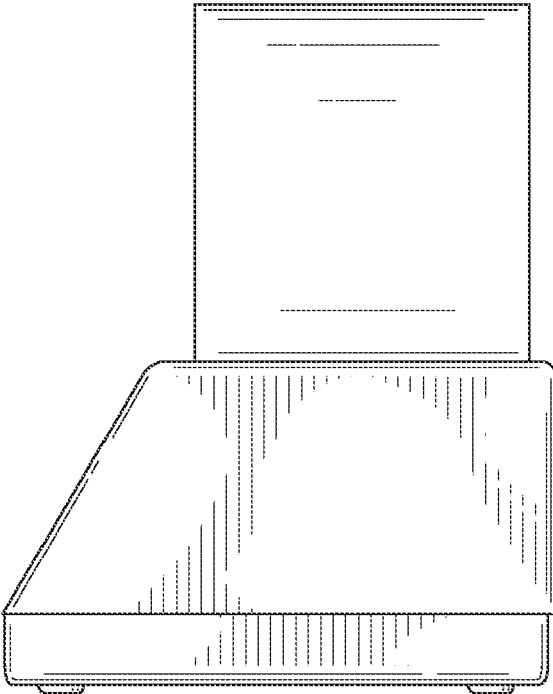


FIG. 4

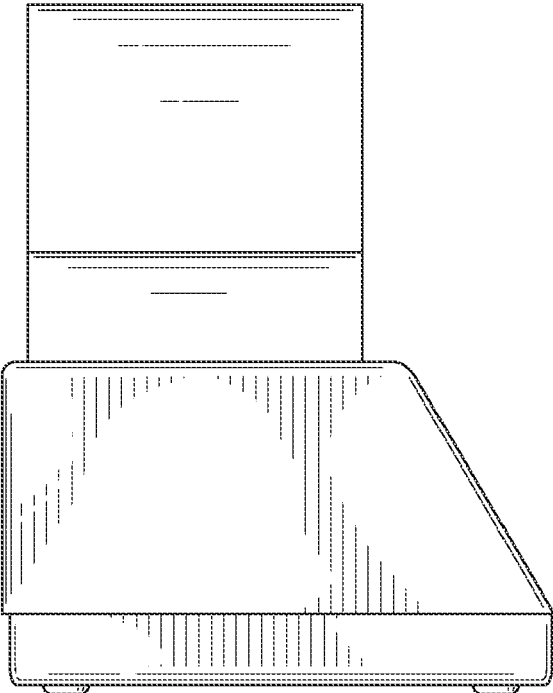


FIG. 5

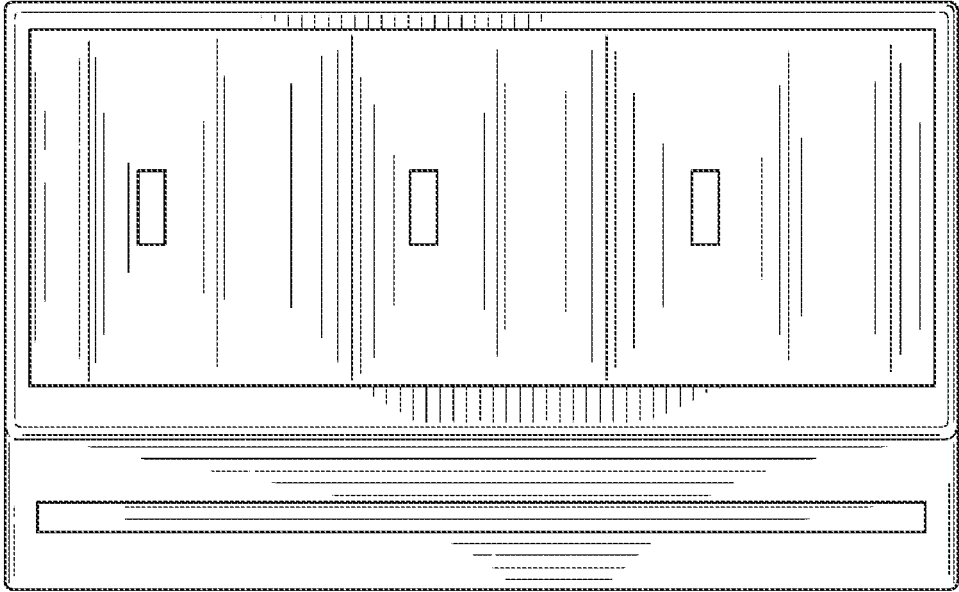


FIG. 6

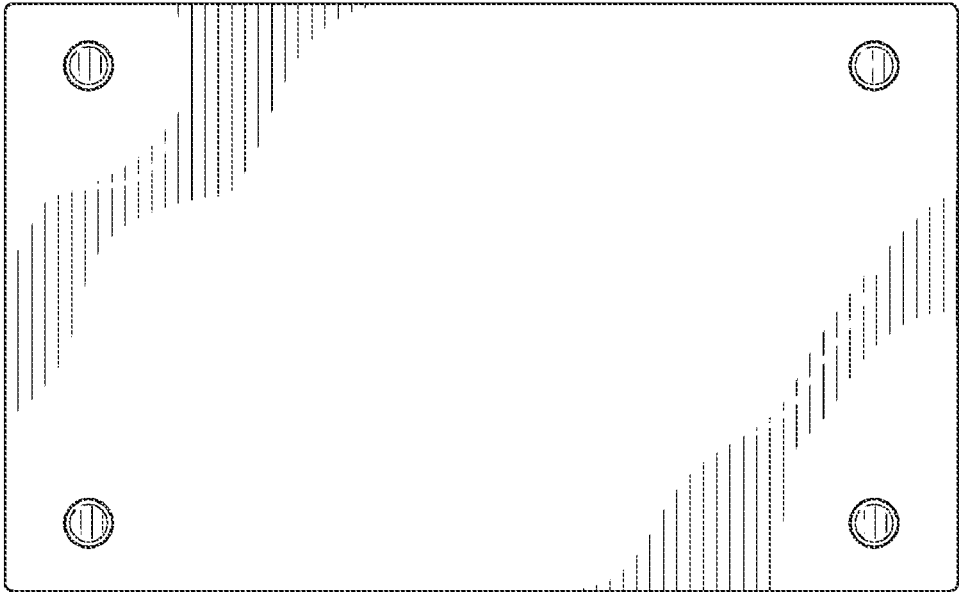


FIG. 7

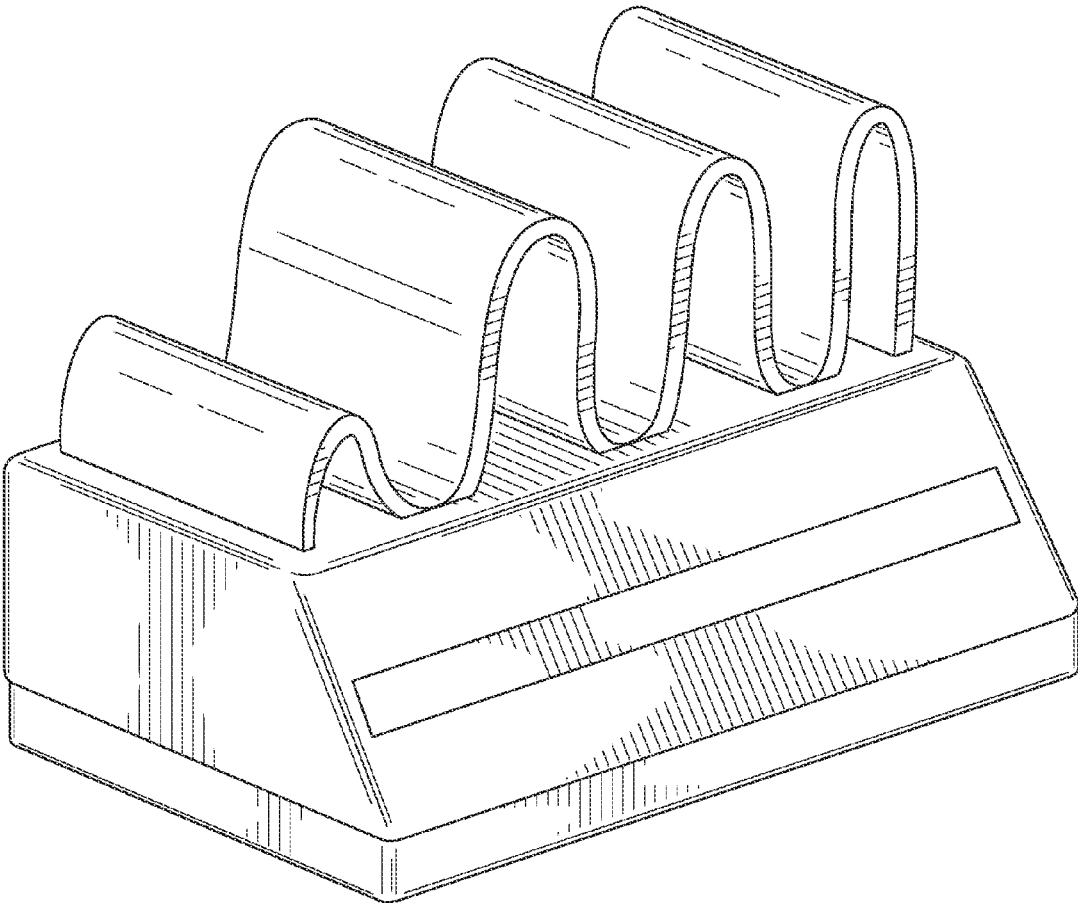


FIG. 8

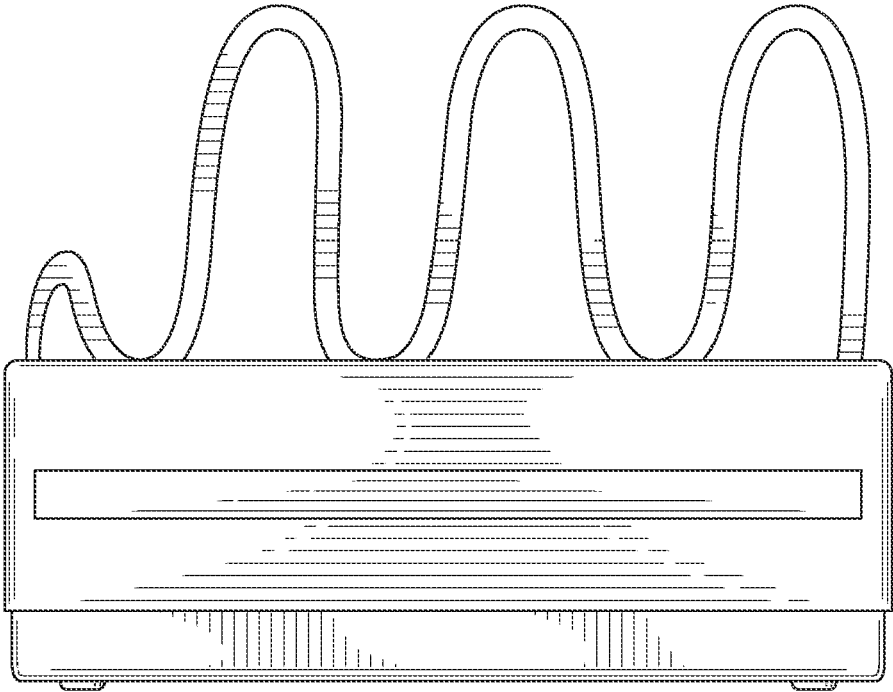


FIG. 9

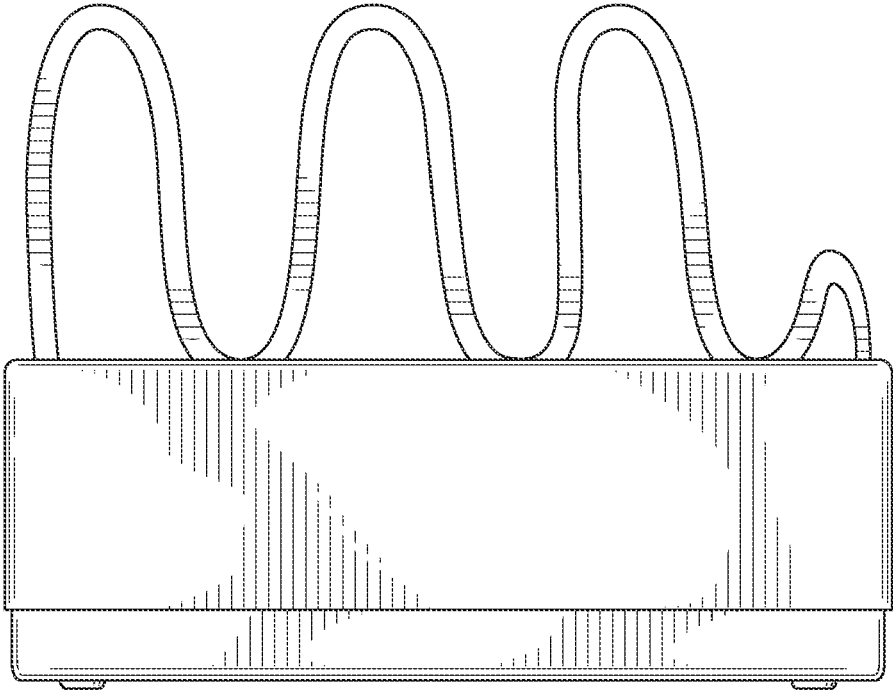


FIG. 10

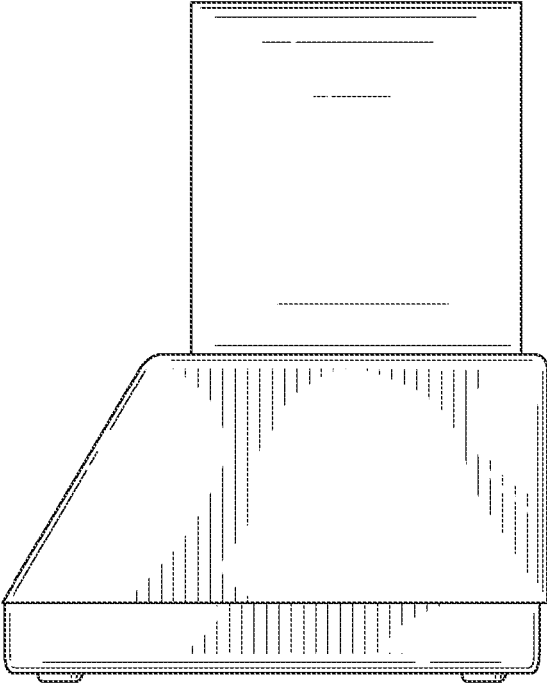


FIG. 11

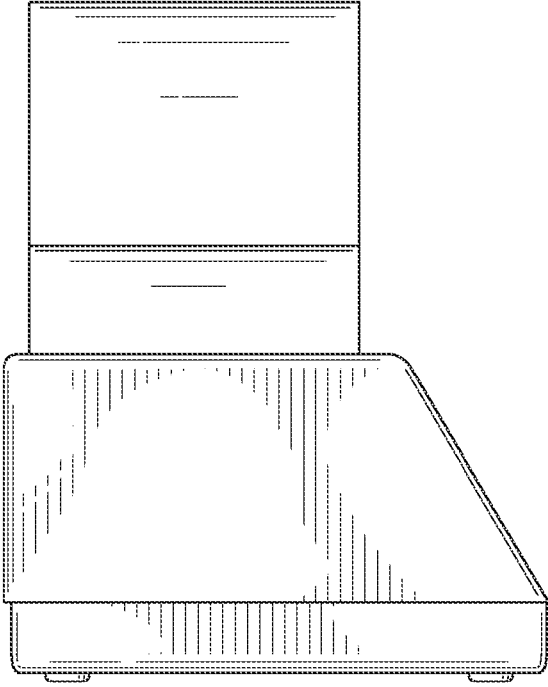


FIG. 12

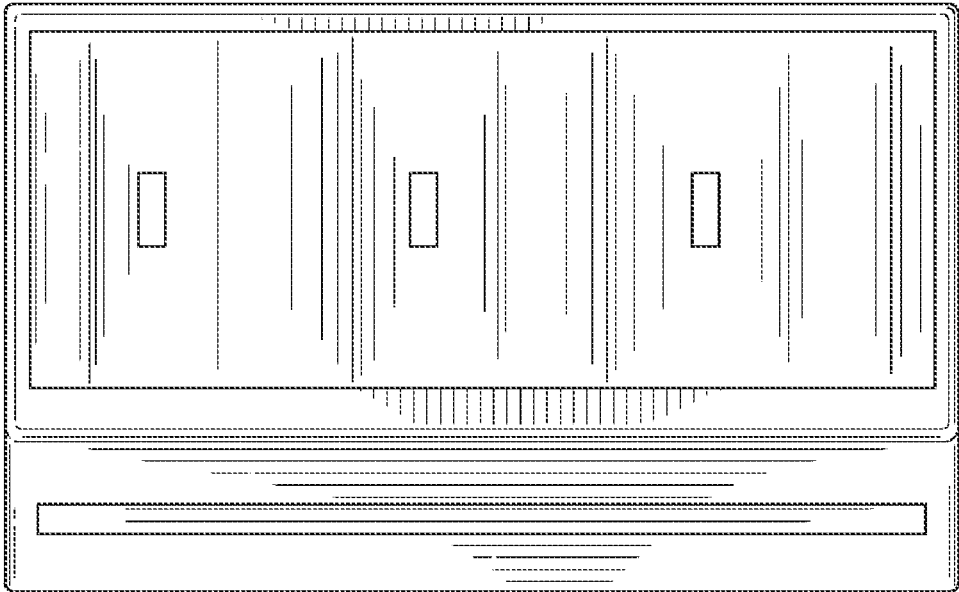


FIG. 13

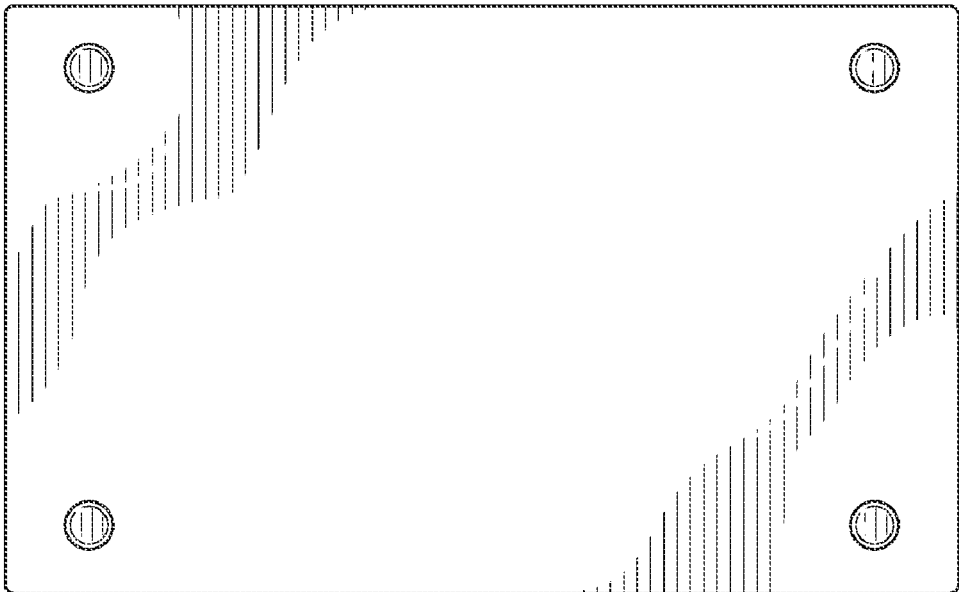


FIG. 14

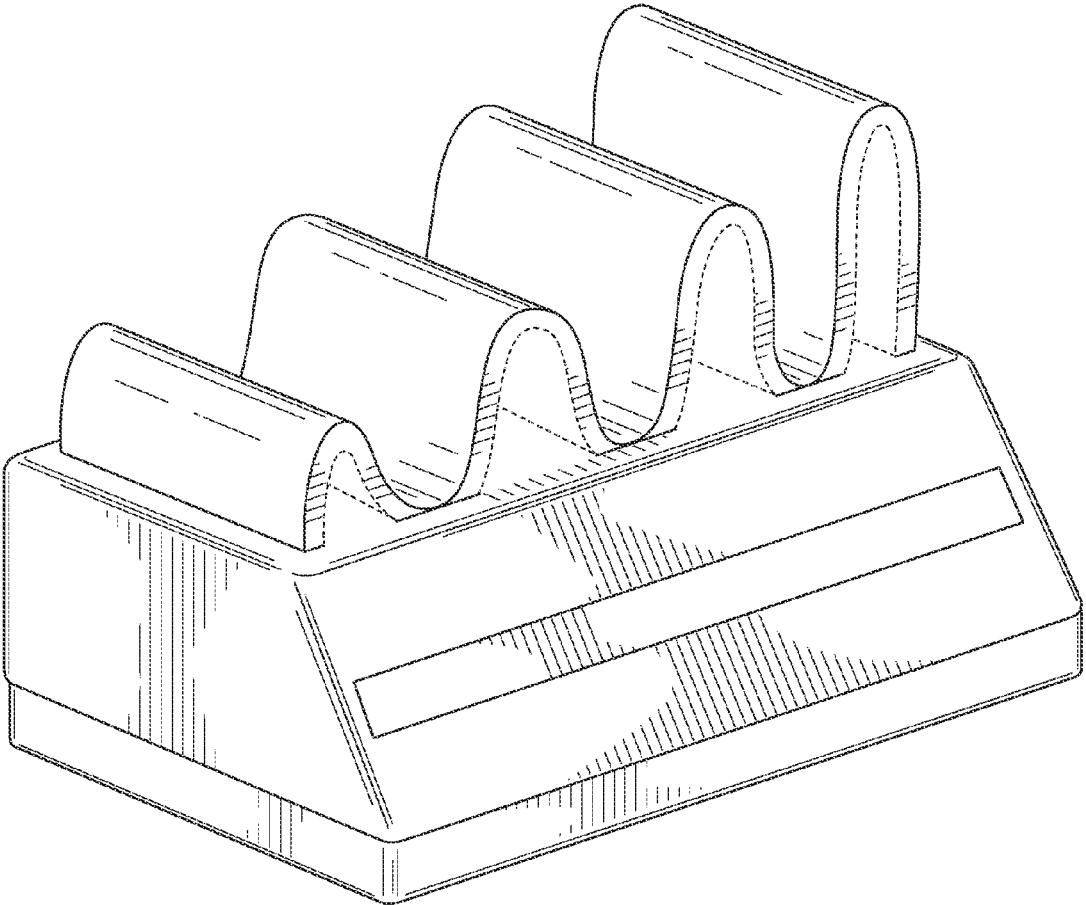


Fig. 15

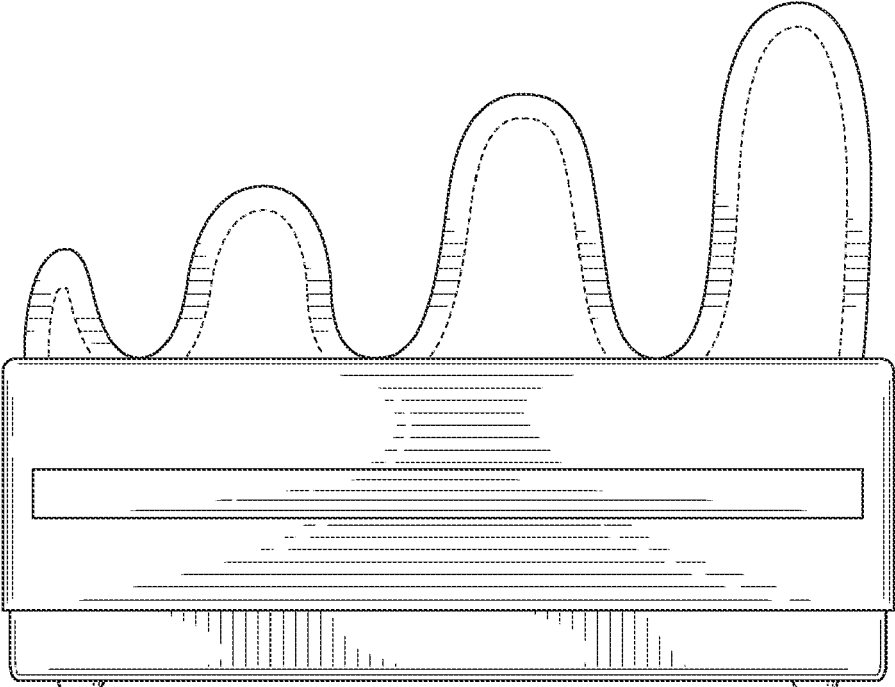


Fig. 16

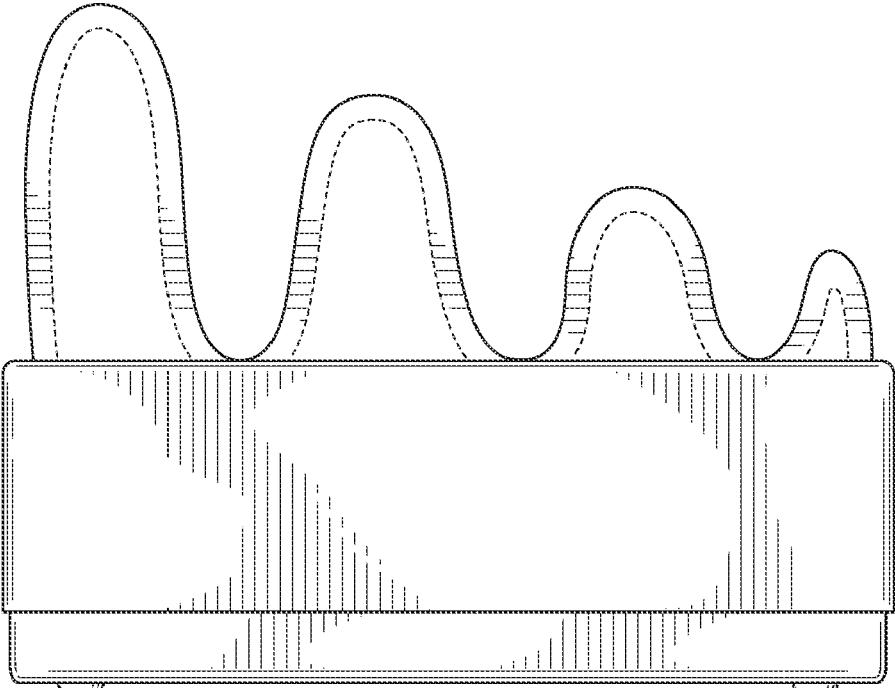


Fig. 17

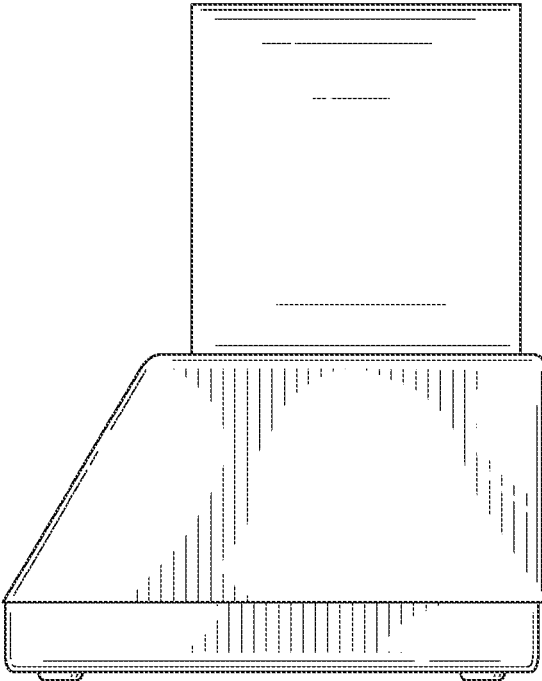


Fig. 18

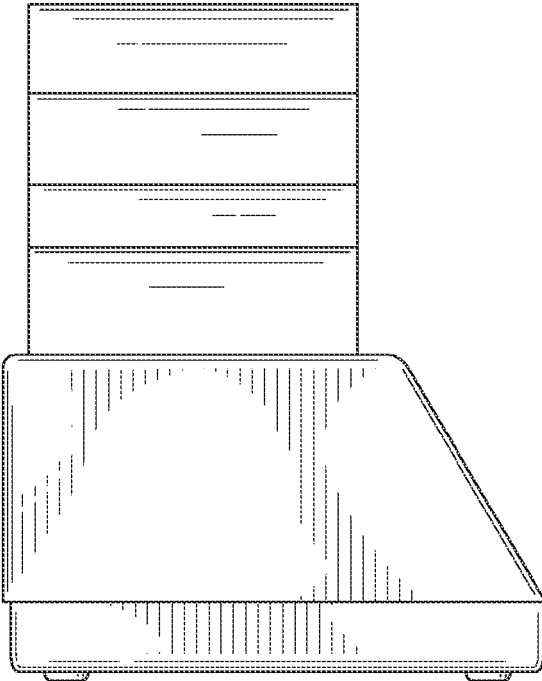


Fig. 19

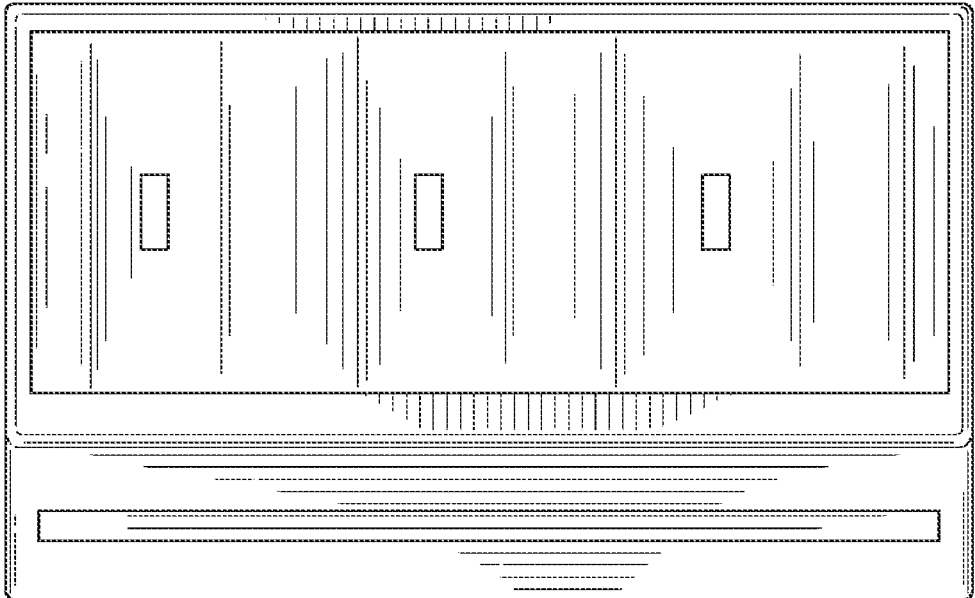


Fig. 20

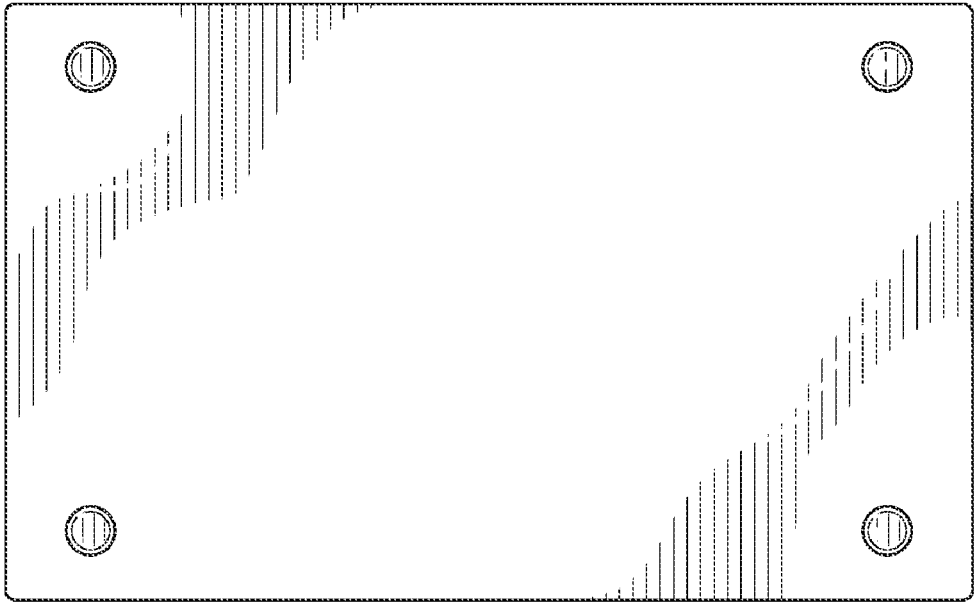


Fig. 21

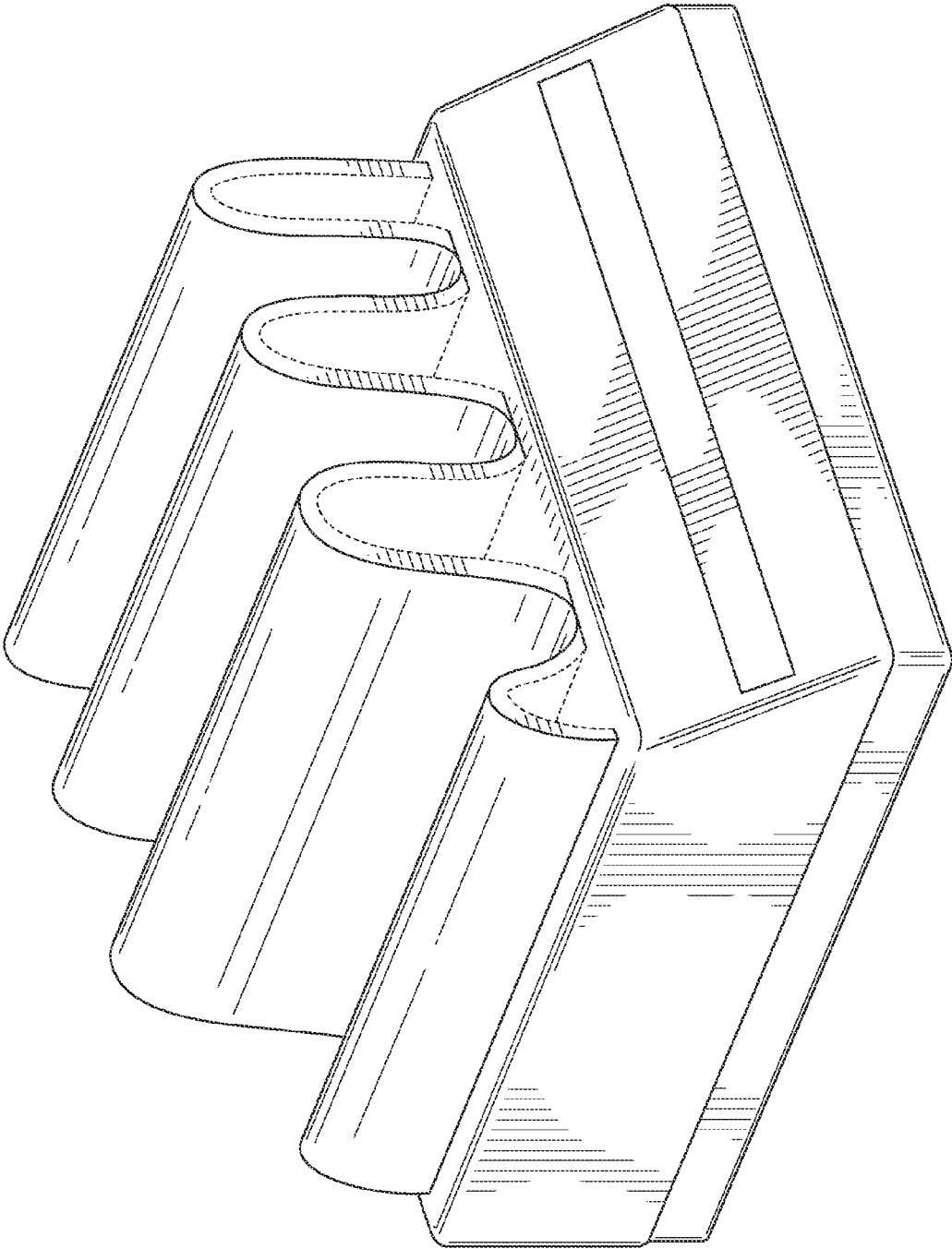


Fig. 22

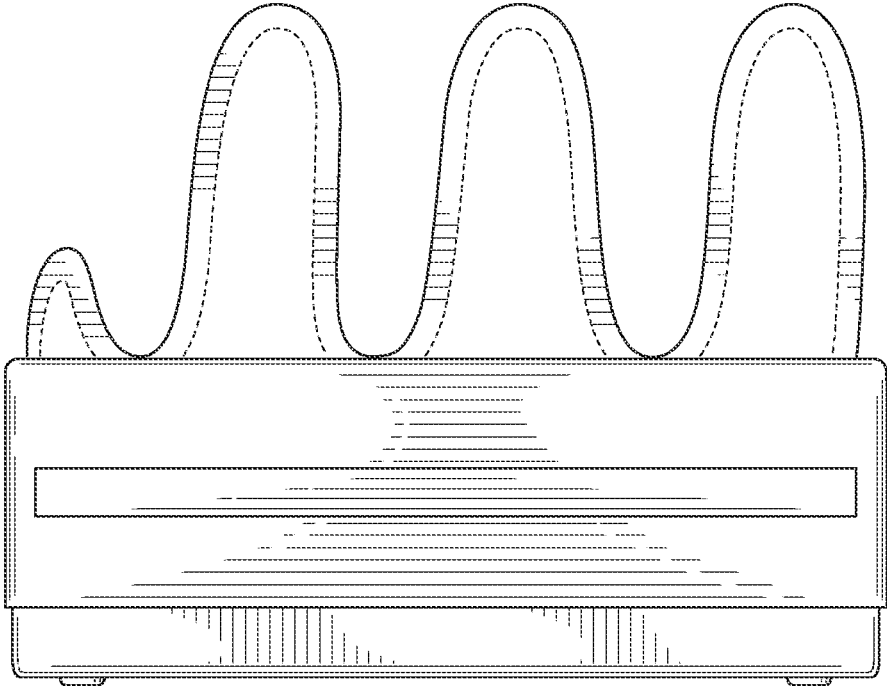


Fig. 23

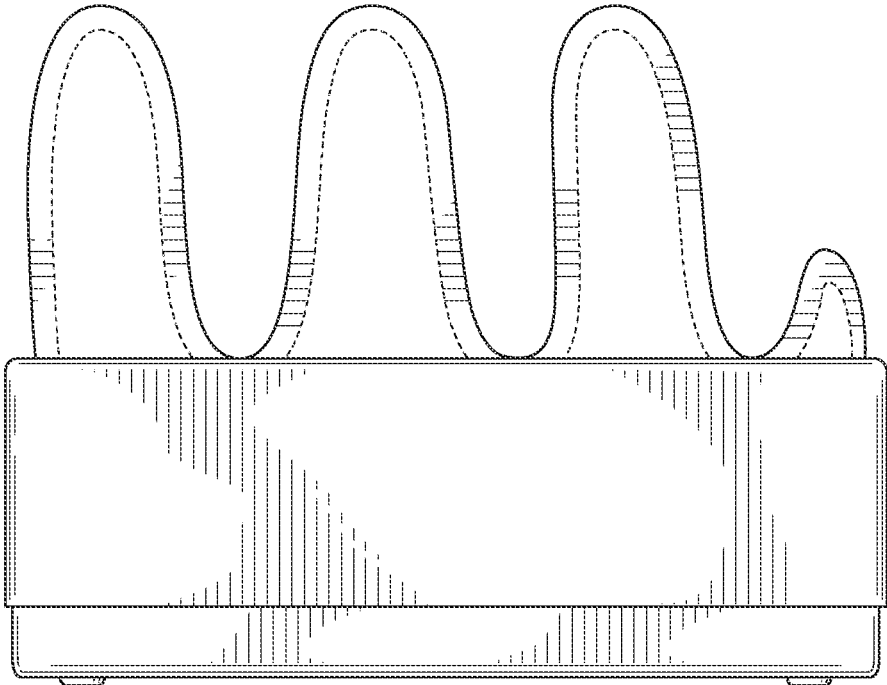


Fig. 24

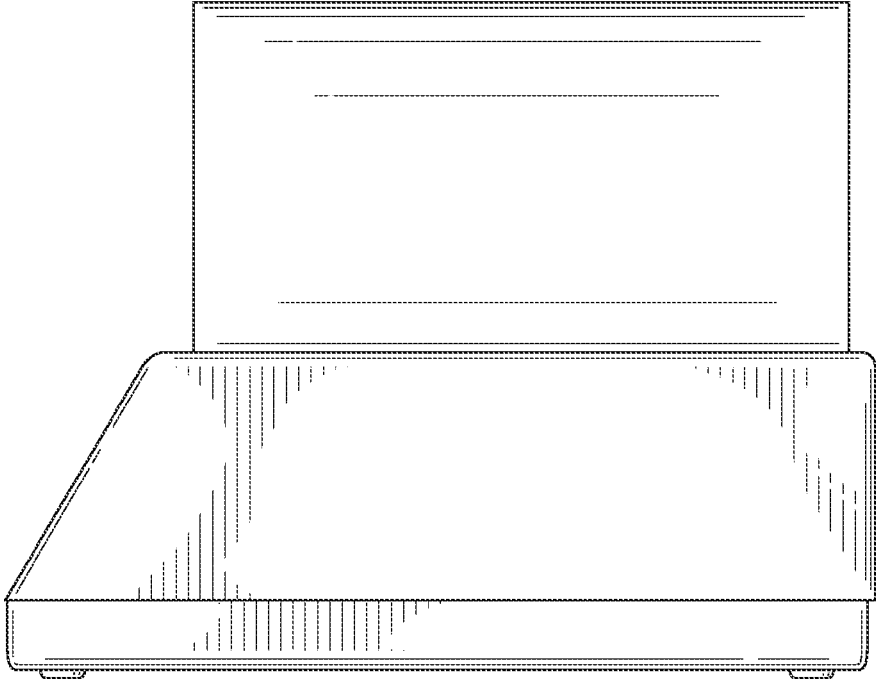


Fig. 25

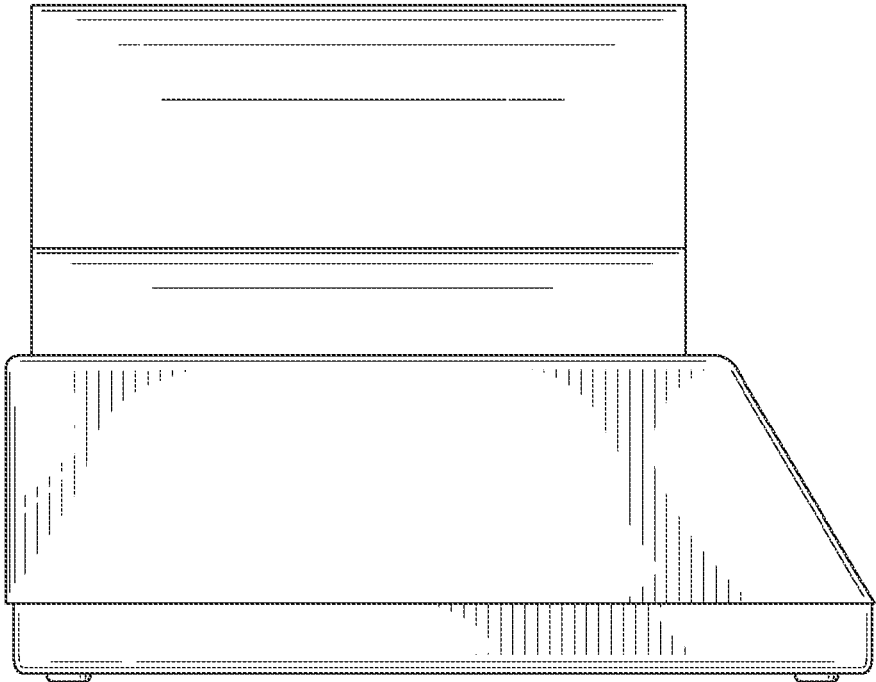


Fig. 26

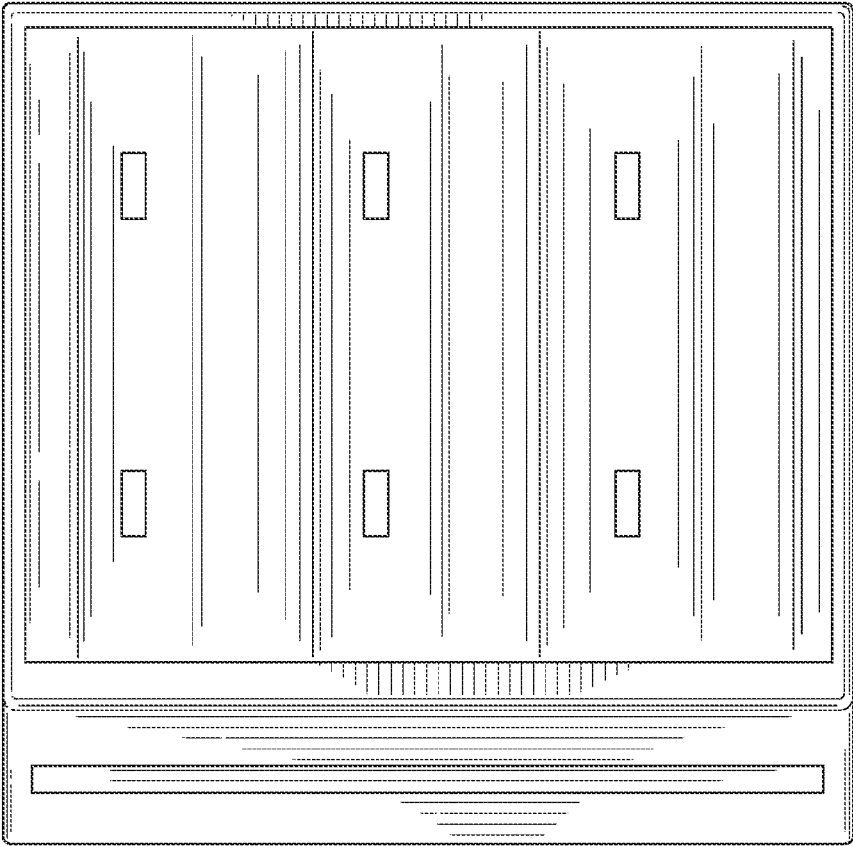


Fig. 27

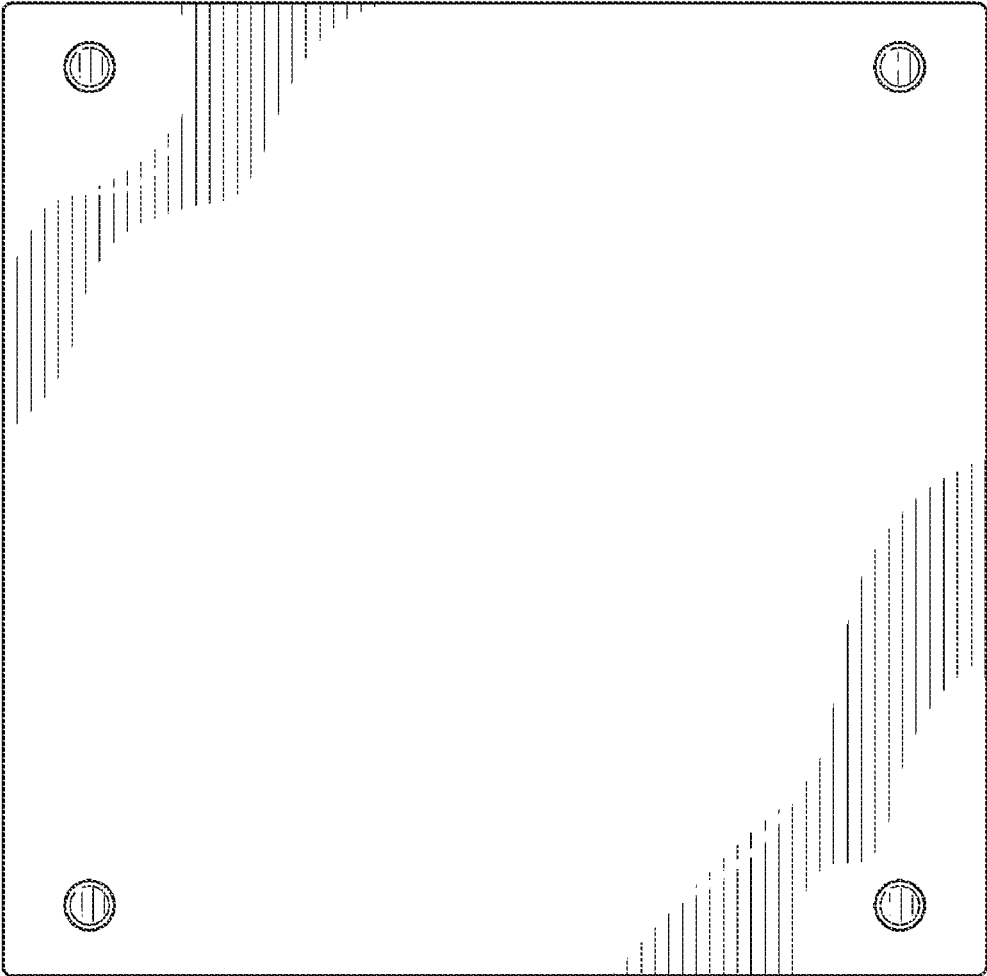


Fig. 28